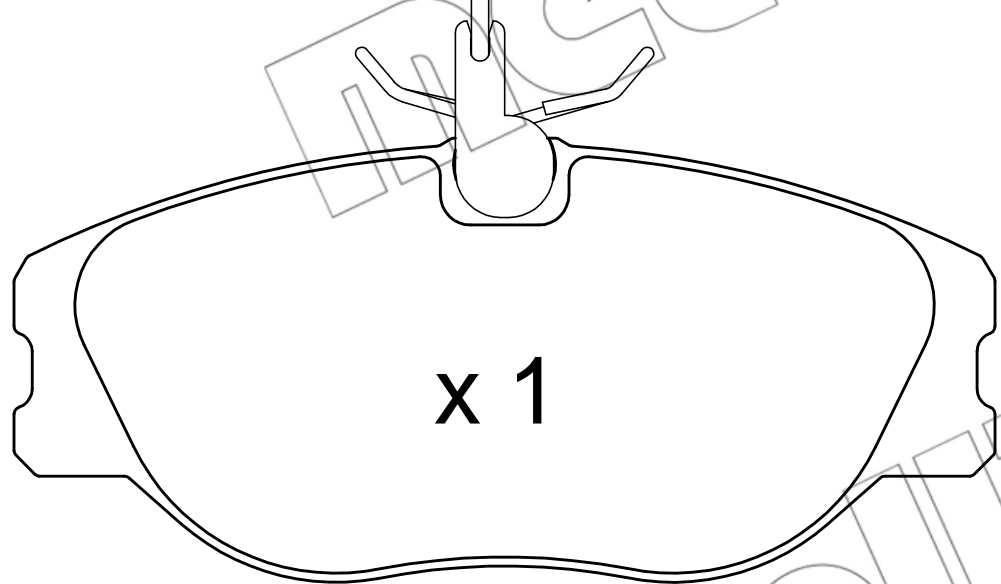
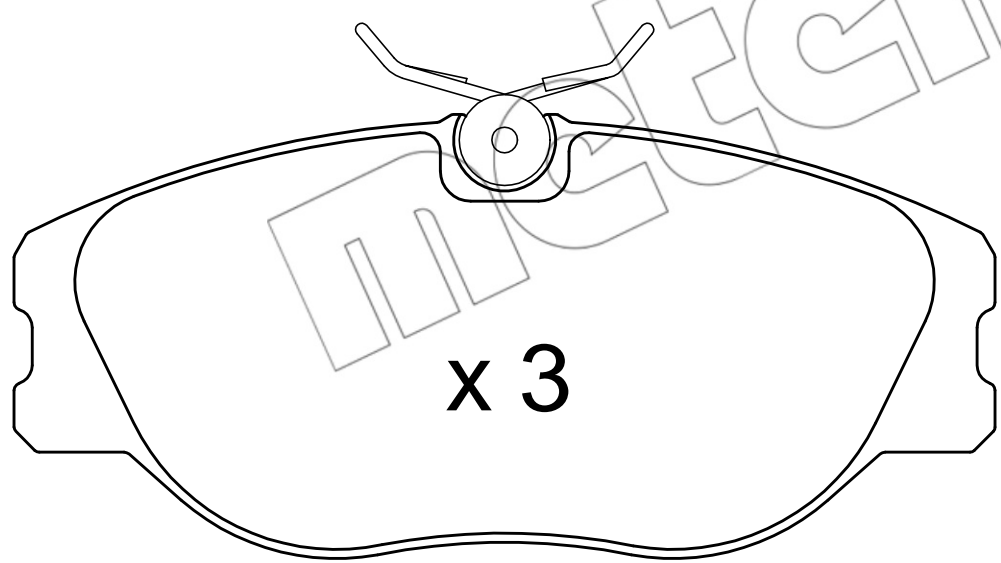


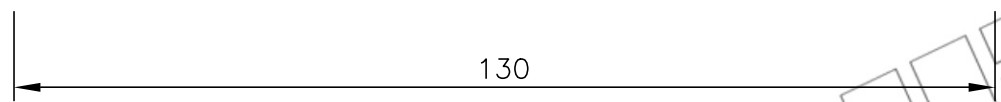
L = 310



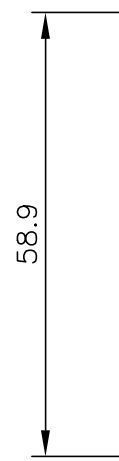
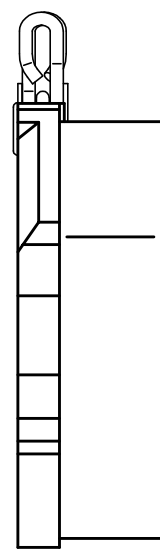
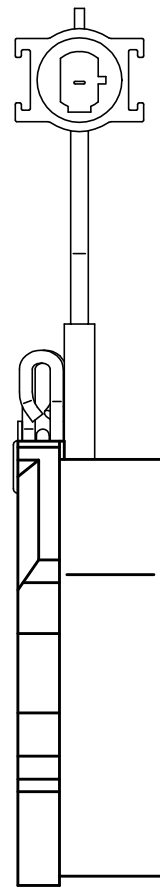
x 1



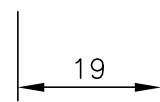
x 3



130



58.9



19