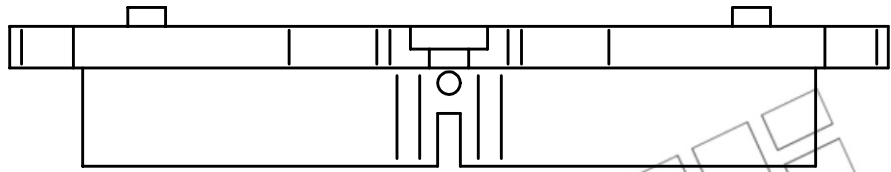
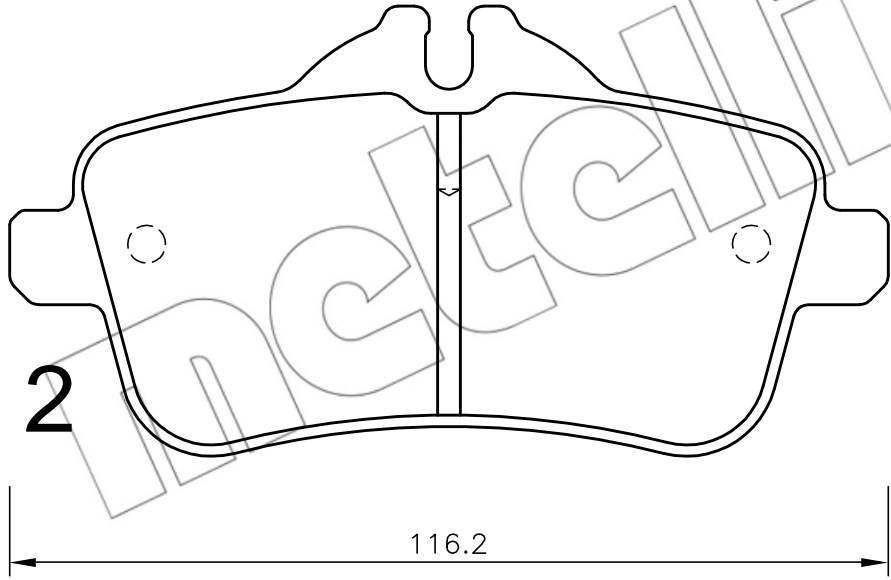


x 2



x 2

