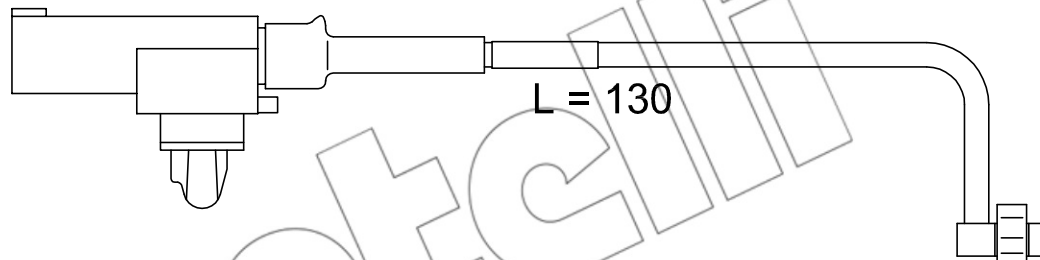
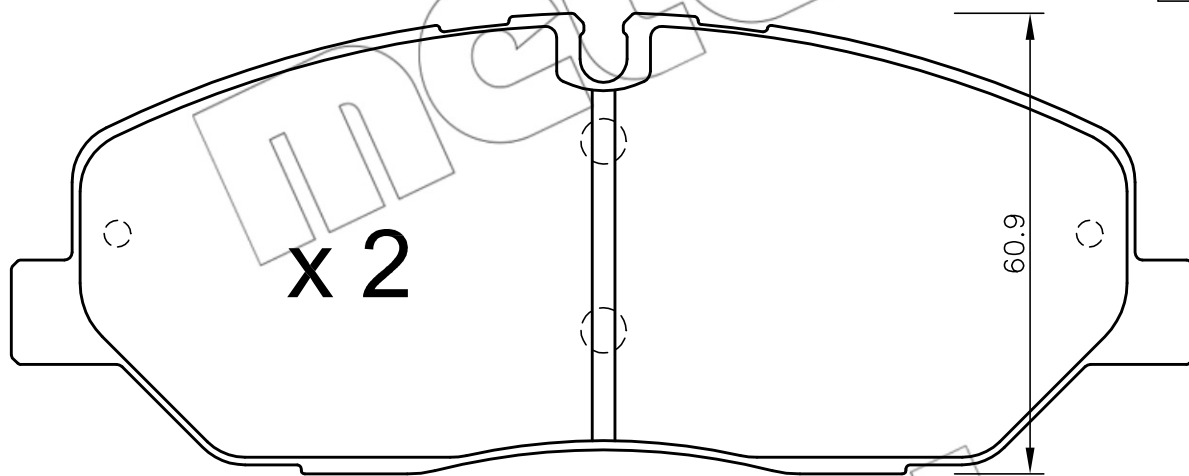


x 2



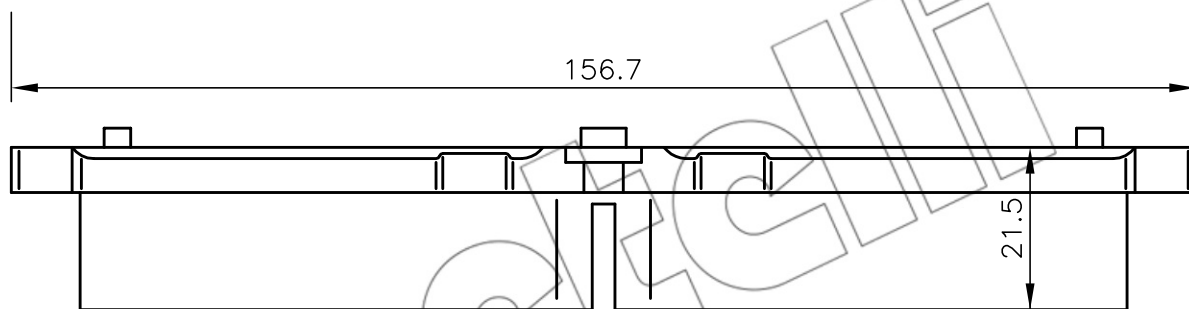
$L = 130$



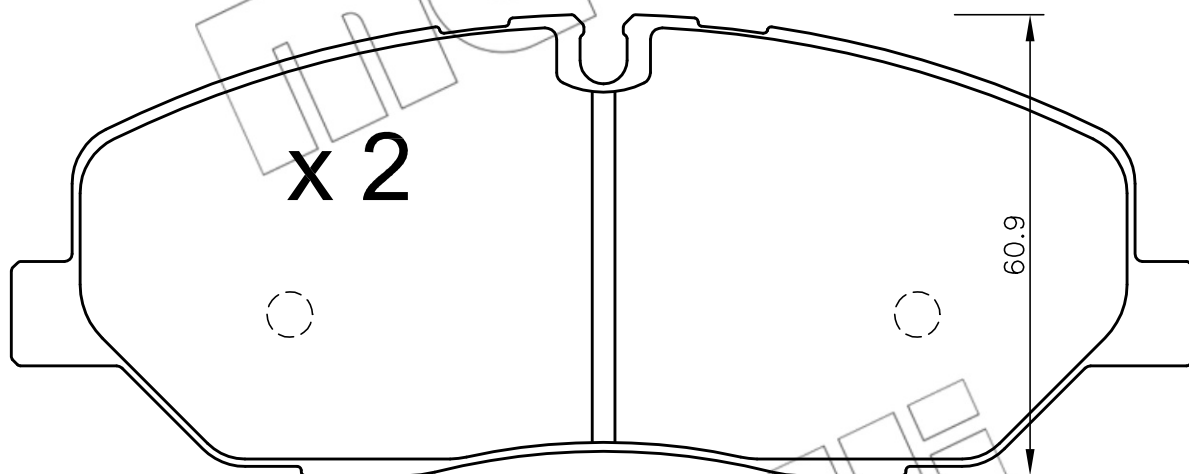
x 2

156.7

60.9



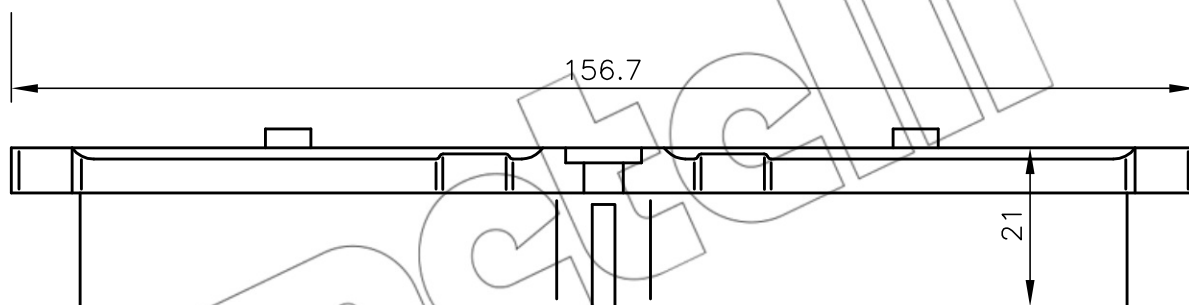
21.5



x 2

156.7

60.9



21