

## Conversion of the outer barrel with ignition switch unit

This Service Information describes the conversion of the outer barrel with the ignition switch unit of the electric steering column for part numbers JCR103 and JCR7103.



**NOTE:** All tasks described may only be carried out by trained qualified personnel and in line with the guidelines and safety instructions from the vehicle manufacturer! Work on the airbag may only be carried out by persons who additionally hold a permit in accordance with the explosives legislation (airbag license)! The repair instructions from the vehicle manufacturer and the corresponding test devices should be available during the procedure. The images in these instructions are examples and are for illustration purposes only. The sequence of the work steps can deviate depending on the version. Subject to technical changes. TRW assumes no liability in case of incorrect handling and installation!

### Procedure

Remove the steering wheel and the linings according to the manufacturer's instructions to gain access to the steering column. Ensure that the steering wheel lock is unlocked and that the height adjustment is locked. Then remove the steering column according to the manufacturer's instructions.

1. Remove the upper circlip from the steering column with a suitable tool (fig. 1)
2. Remove the four fixing screws on the outer barrel (fig. 2 and fig. 3)
3. Carefully remove the outer barrel from the steering column without tilting it (fig. 4)

### Installation

Installation is carried out in reverse order. Tighten the four fixing screws with a torque of 20 Nm!



Fig. 1

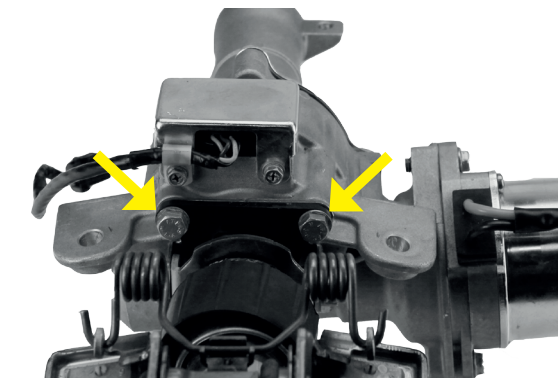


Fig. 2

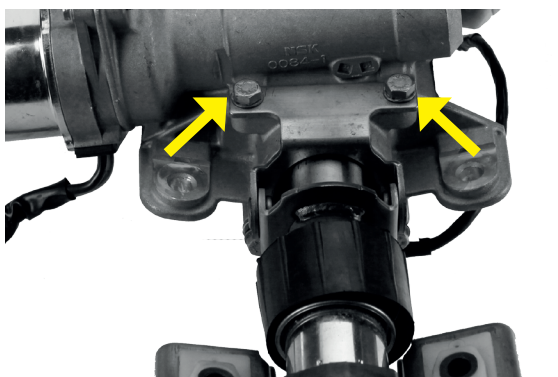


Fig. 3

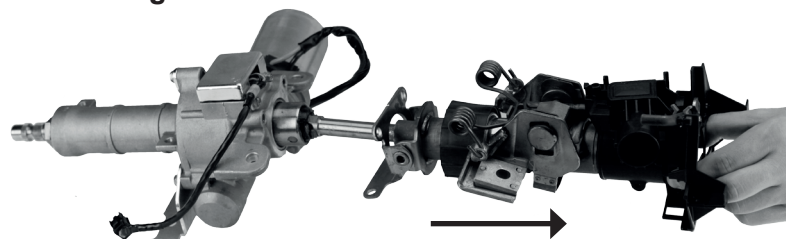


Fig. 4

