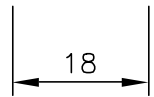
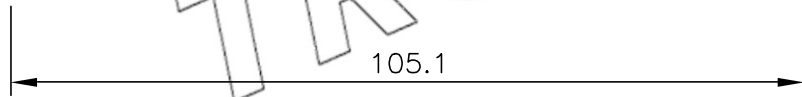
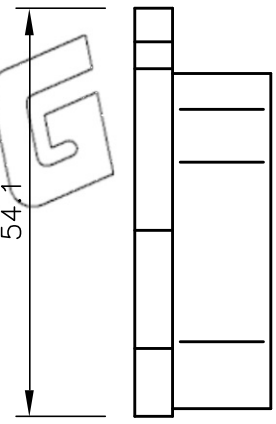
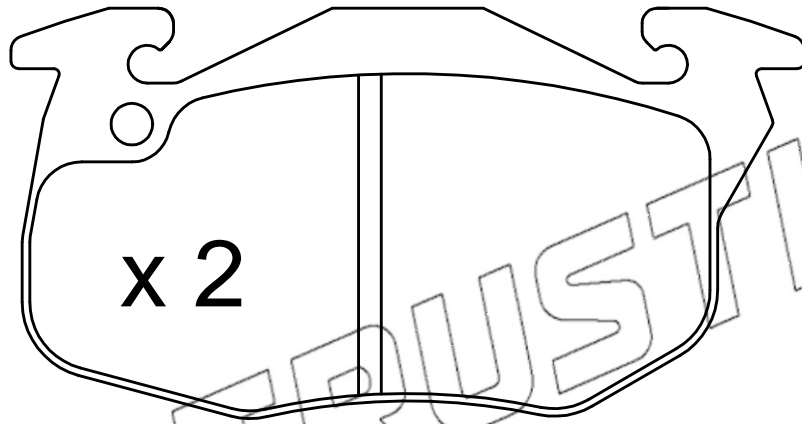
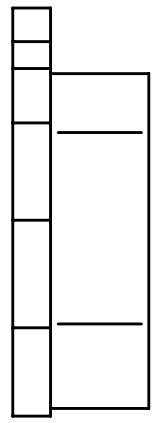
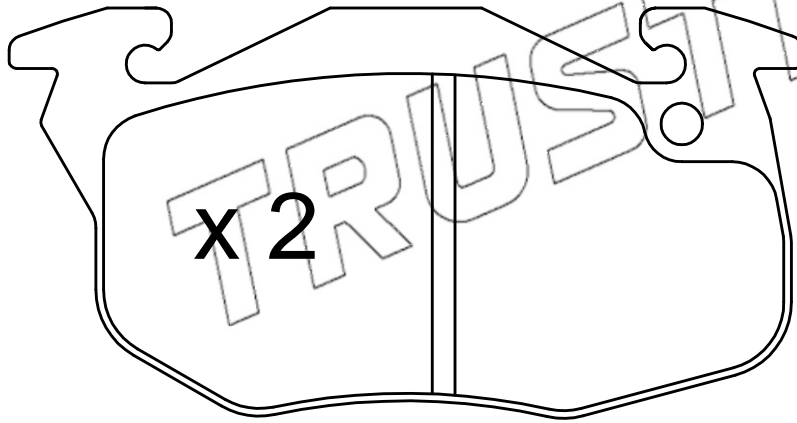
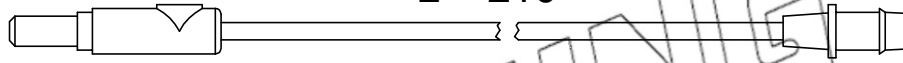


x 2

L = 210



TRUSTING