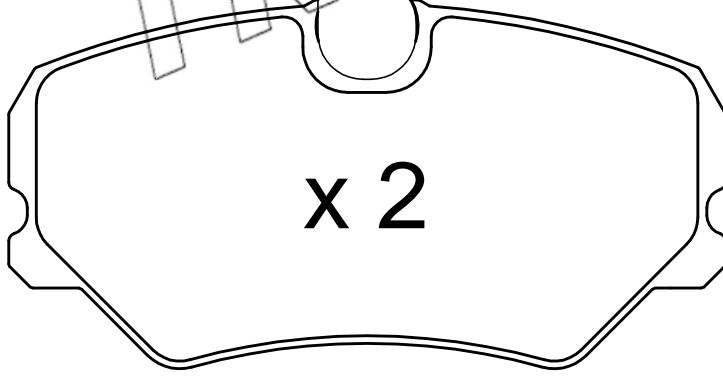
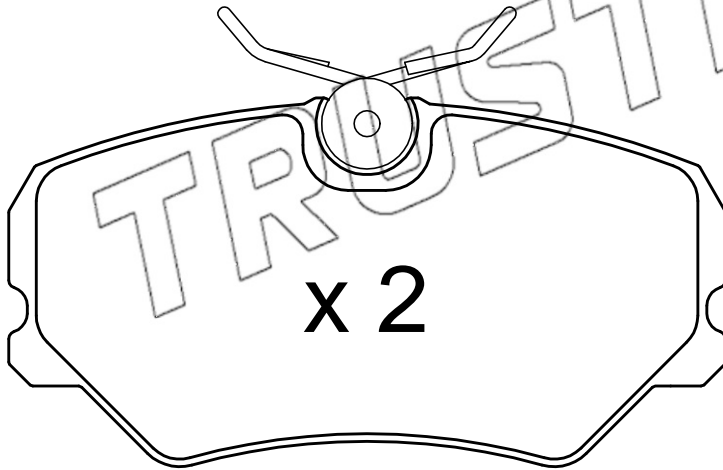
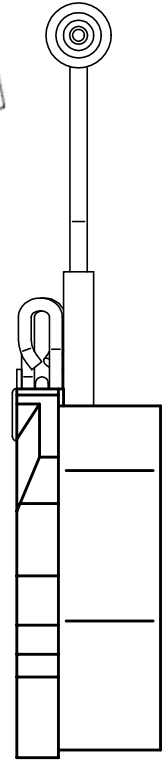


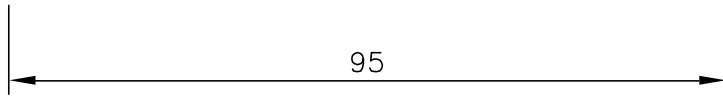
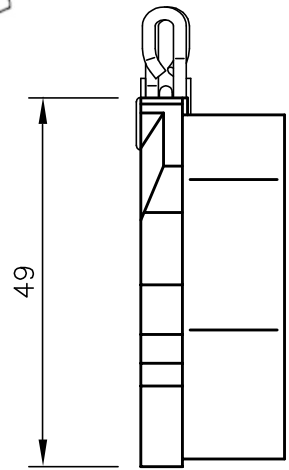
L = 190



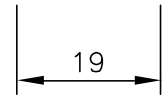
x 2



x 2



95



19

TRUSTING