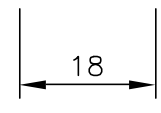
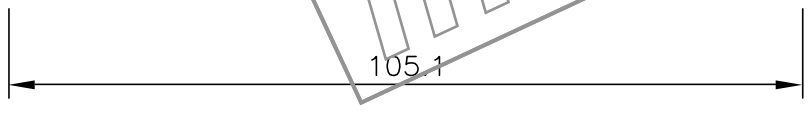
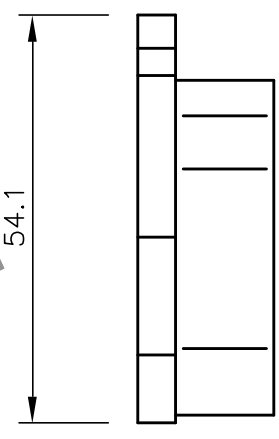
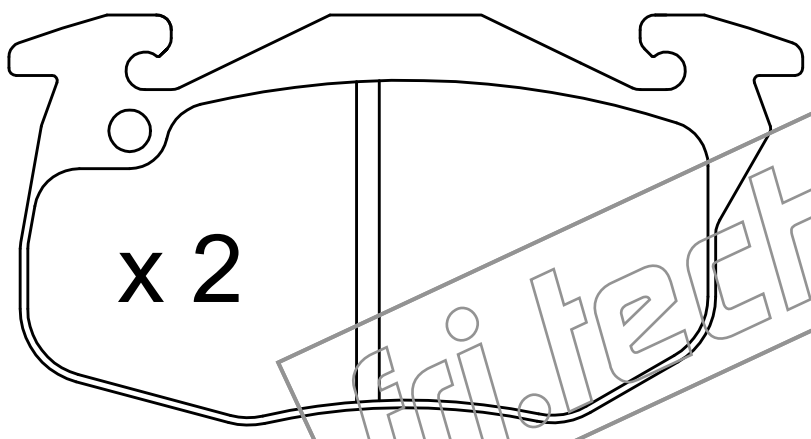
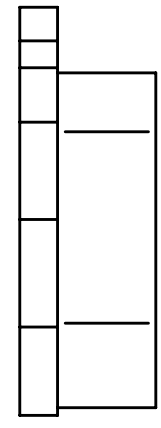
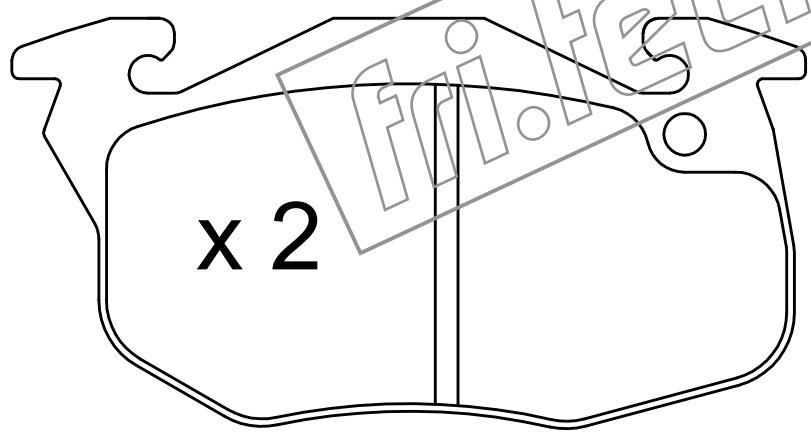


x 2 L = 140



fri.tech.