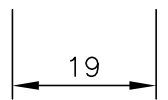
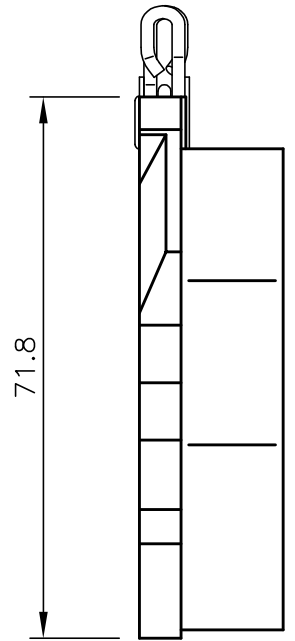
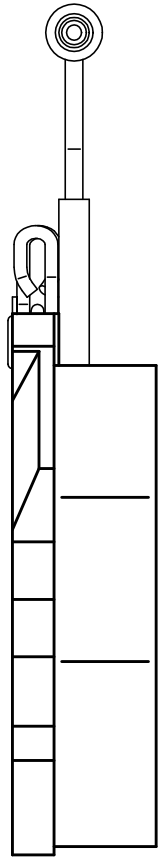
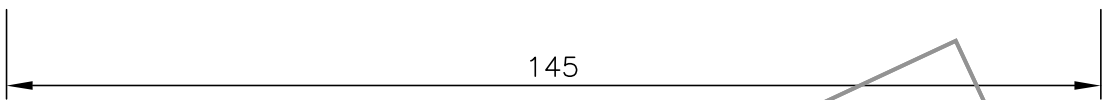
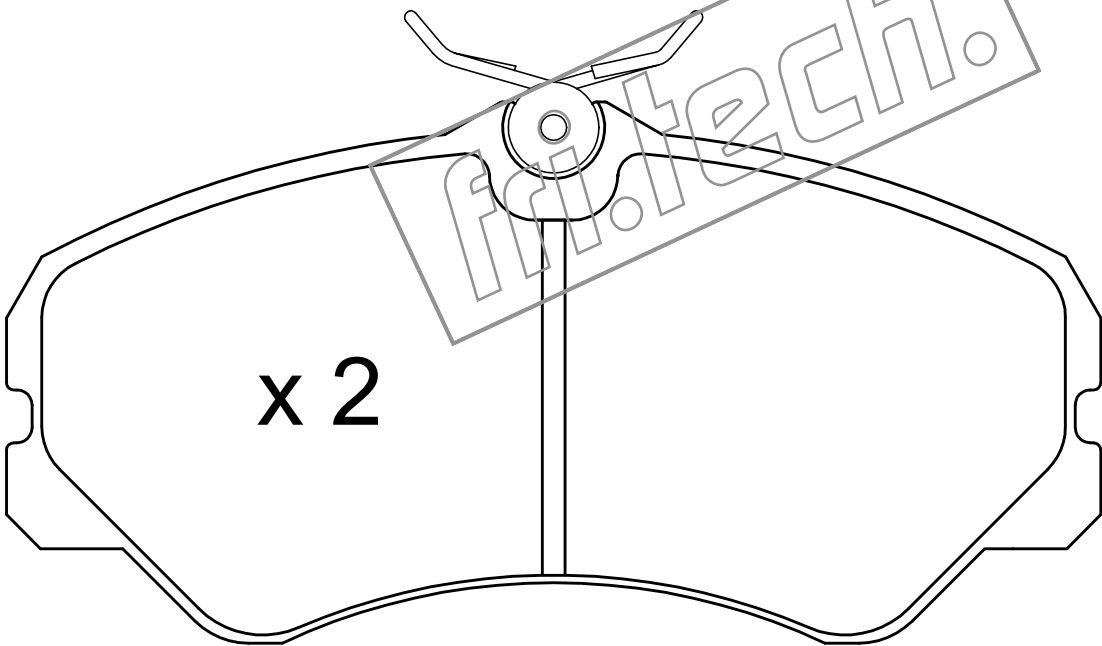
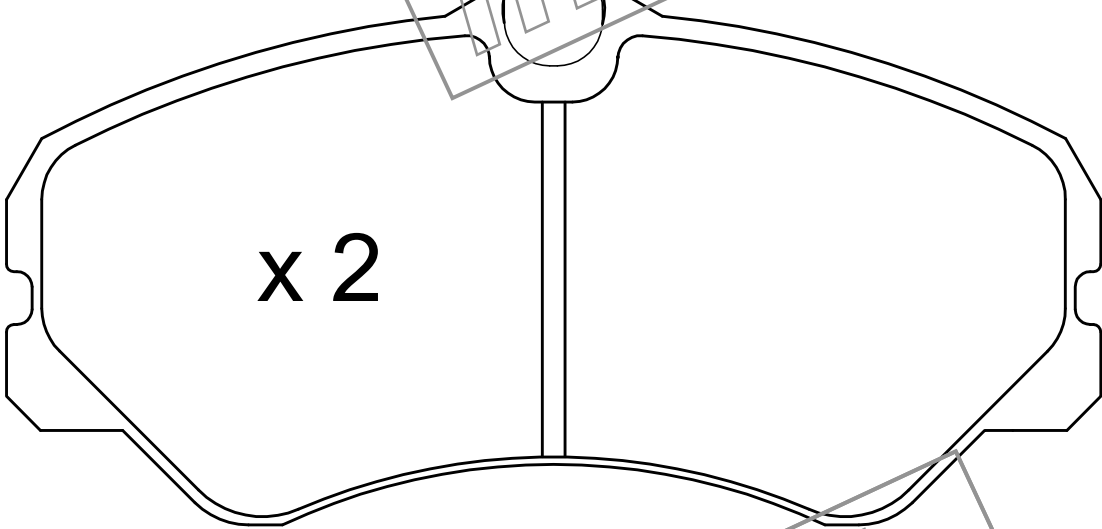


L = 195



fri.tech.