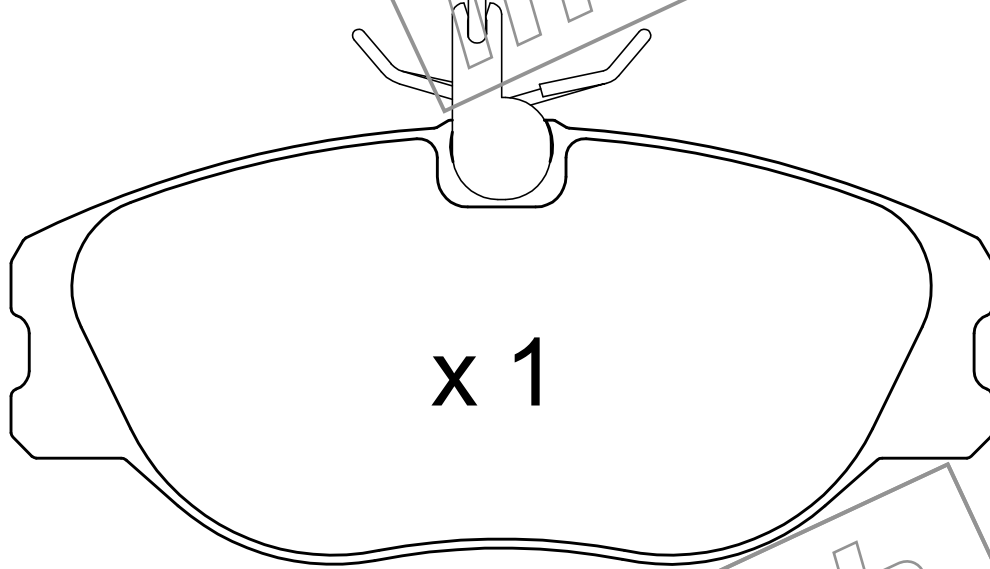
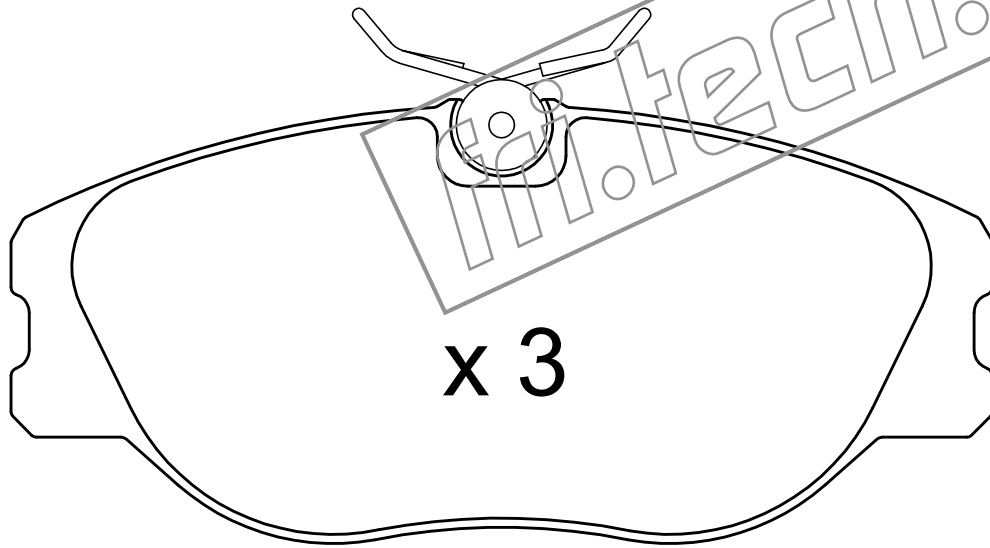


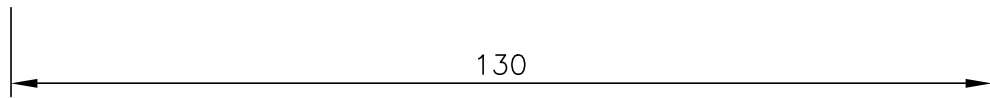
L = 310



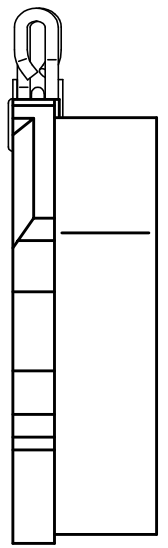
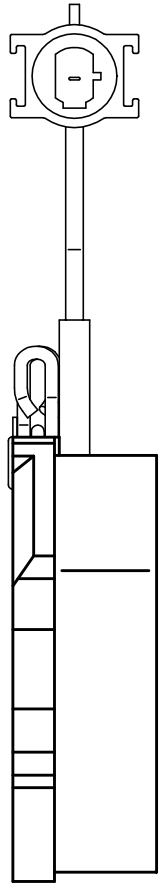
x 1



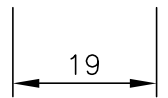
x 3



130



58.9



19

fri.tech.