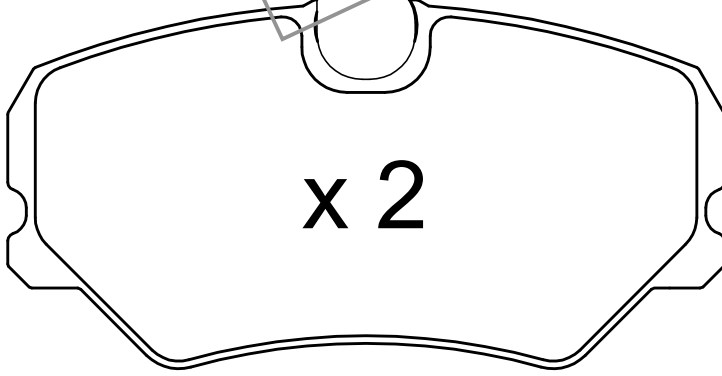
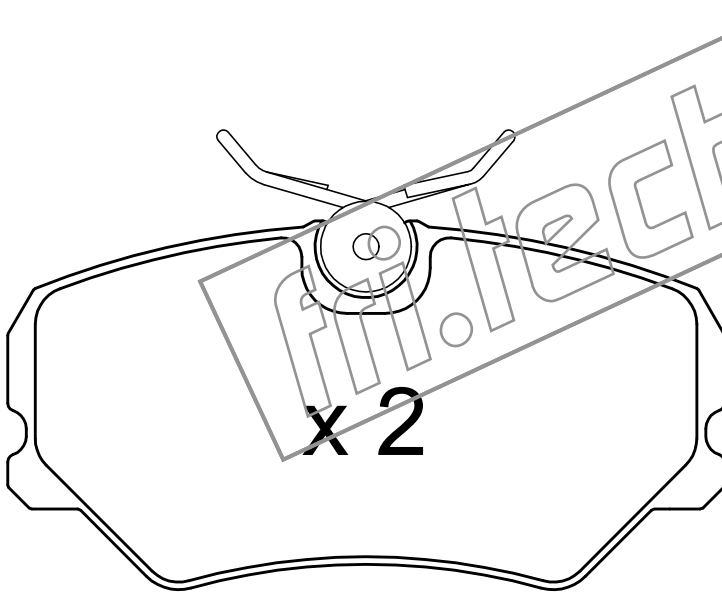
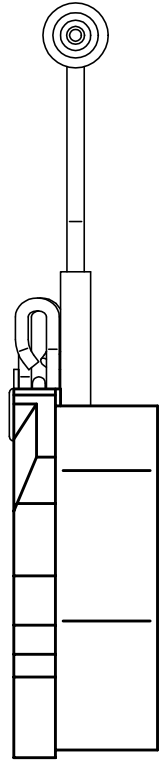


L = 190

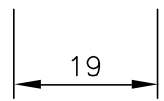
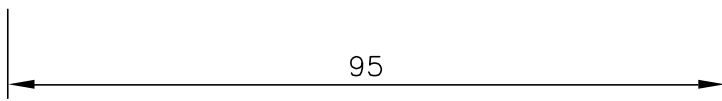
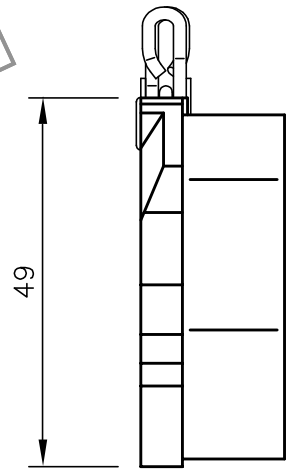
fri.tech.



x 2



x 2



fri.tech.