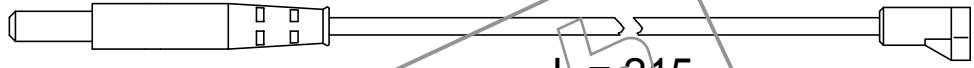
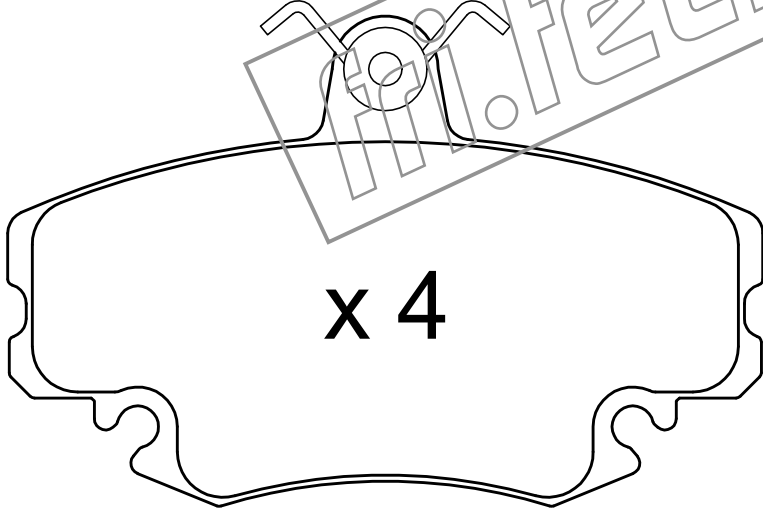


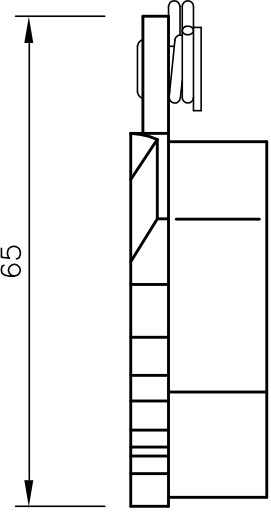
x 2



L = 215

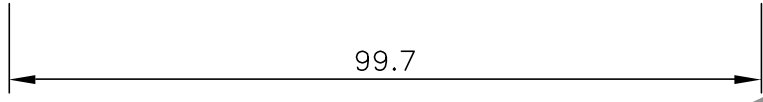


x 4



65

18



99.7

fri.tech.

fri.tech.