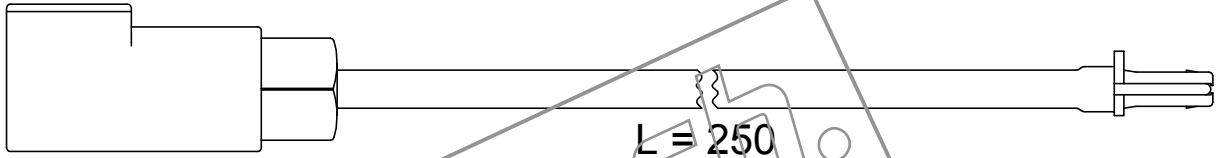
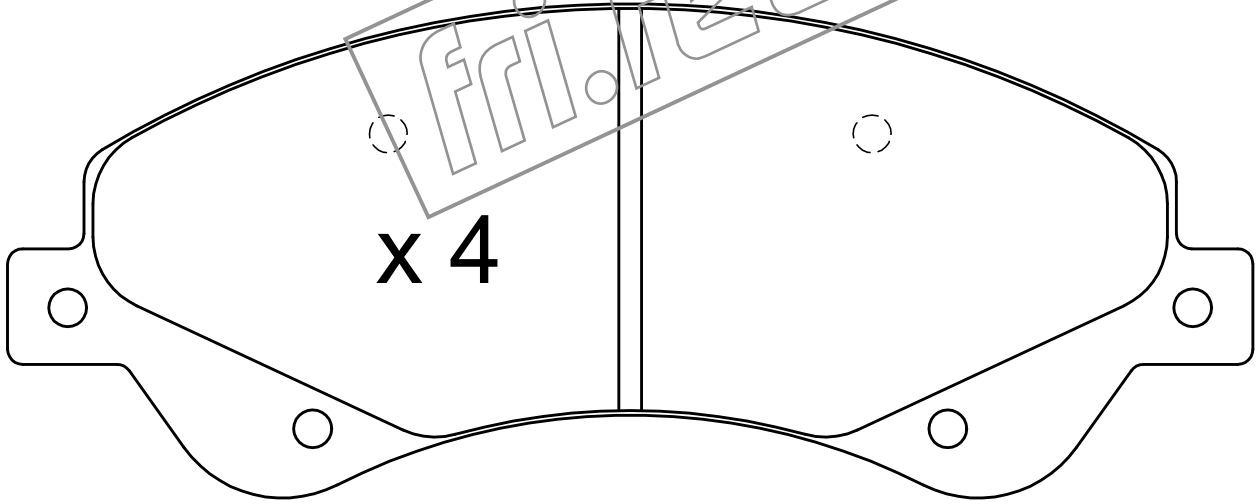


x 2



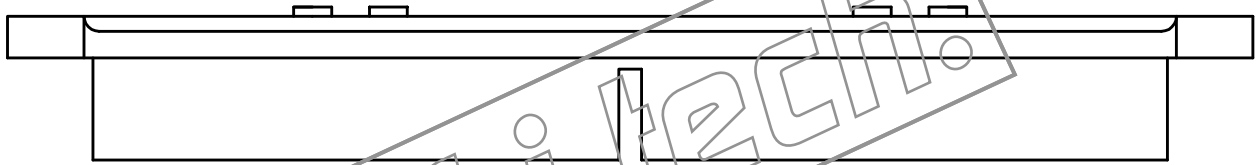
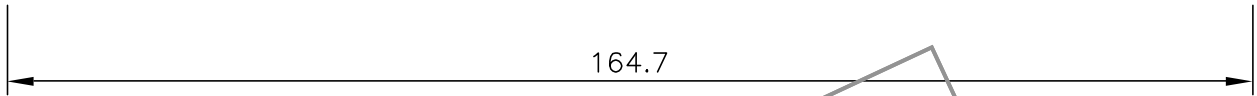
$L = 250$

x 4



65.4

164.7



19

fri.tech.