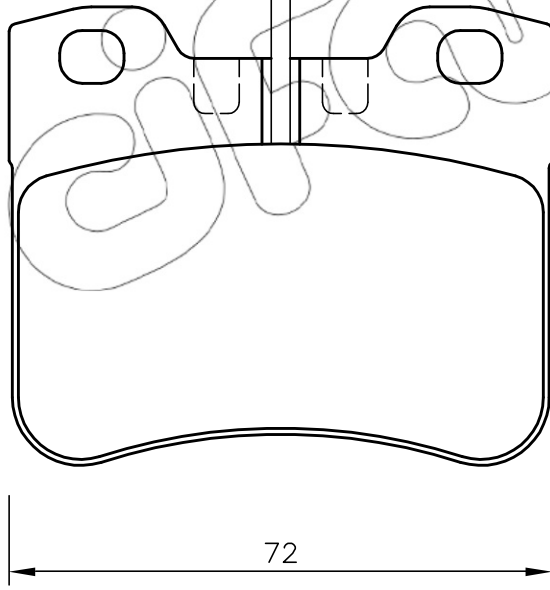


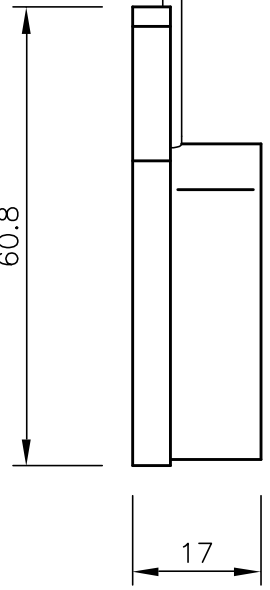
$L = 175$

x 4



72

60.8



17

iFAM

iFAM