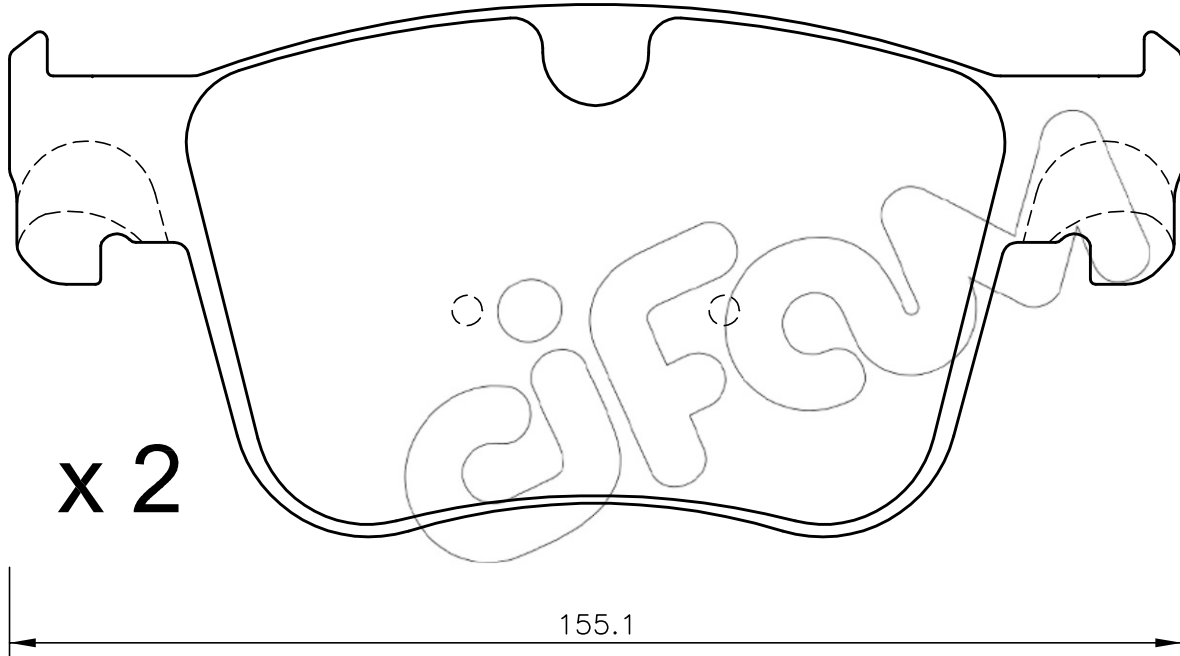
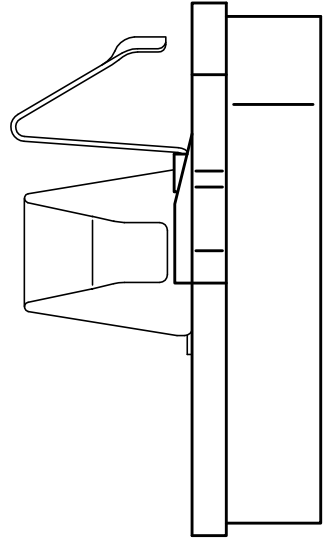
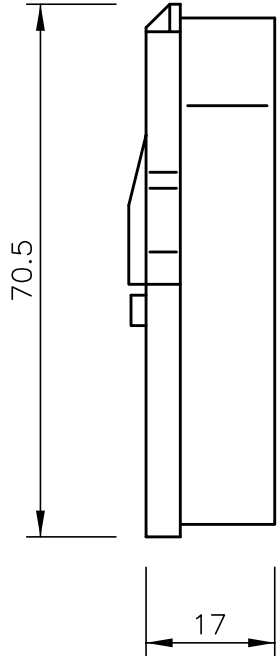


x 2



x 2

155.1



70.5

17

iFAM