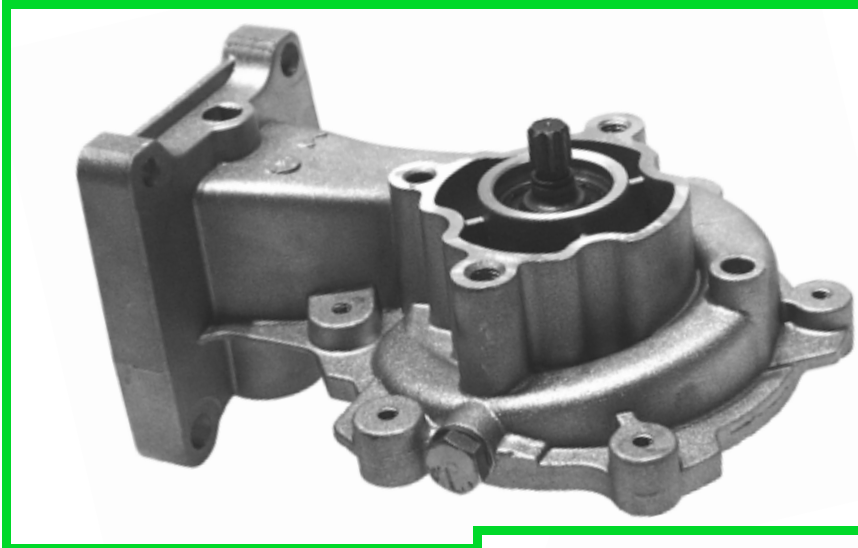


BULLETIN 0002

Ford 2.0 diesel - FWP 1948 & FWP 2063



Examination of the condition of the splined drive from the power steering pump **MUST** be made prior to the installation of the new Water Pump. If there is any evidence of wear the power steering pump **MUST** be replaced.

Remove all traces of old grease from the pump drive shaft splines, remove and discard the old 'O'ring seal.

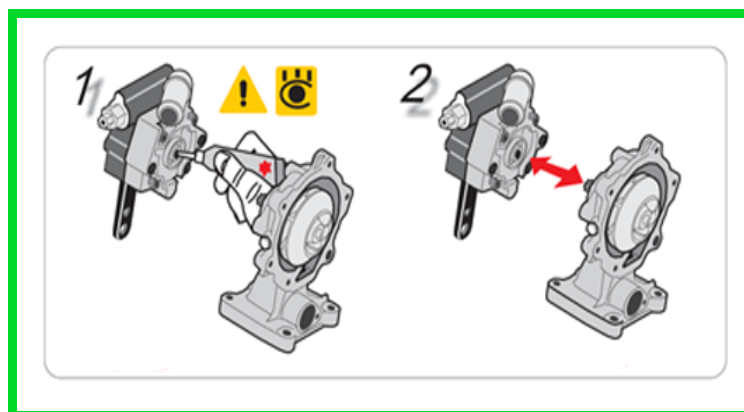
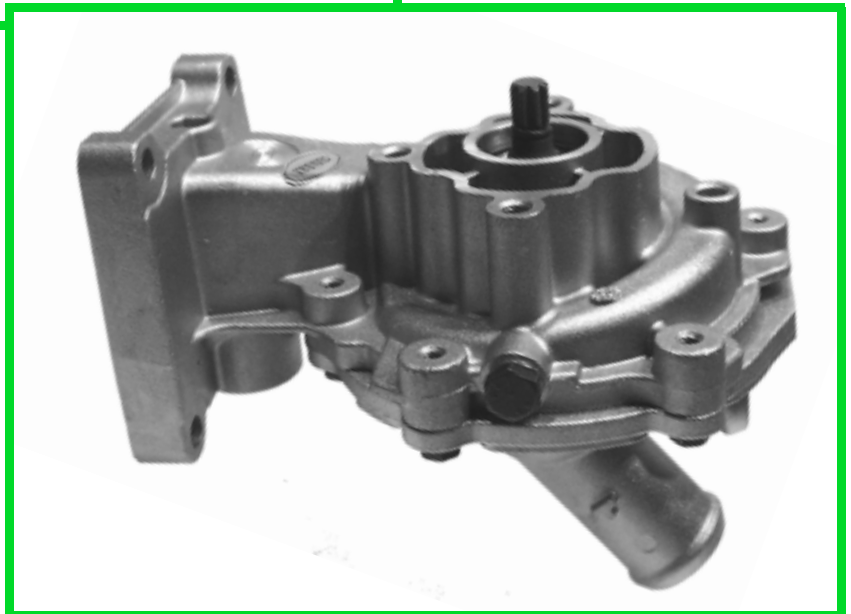
Install the new 'O' ring and apply the contents from the grease sachet to the power steering pump drive splines before fitting the new Water Pump

The seal and grease sachet can be obtained by ordering

FIRST LINE part FWK 001

Replacement gaskets are available. Order

First Line part FWP 1948G



Please refer to the Vehicle Manufacturers Technical data for additional information
The First Line FWK 001 is an alternative to Ford Service Part 1368570