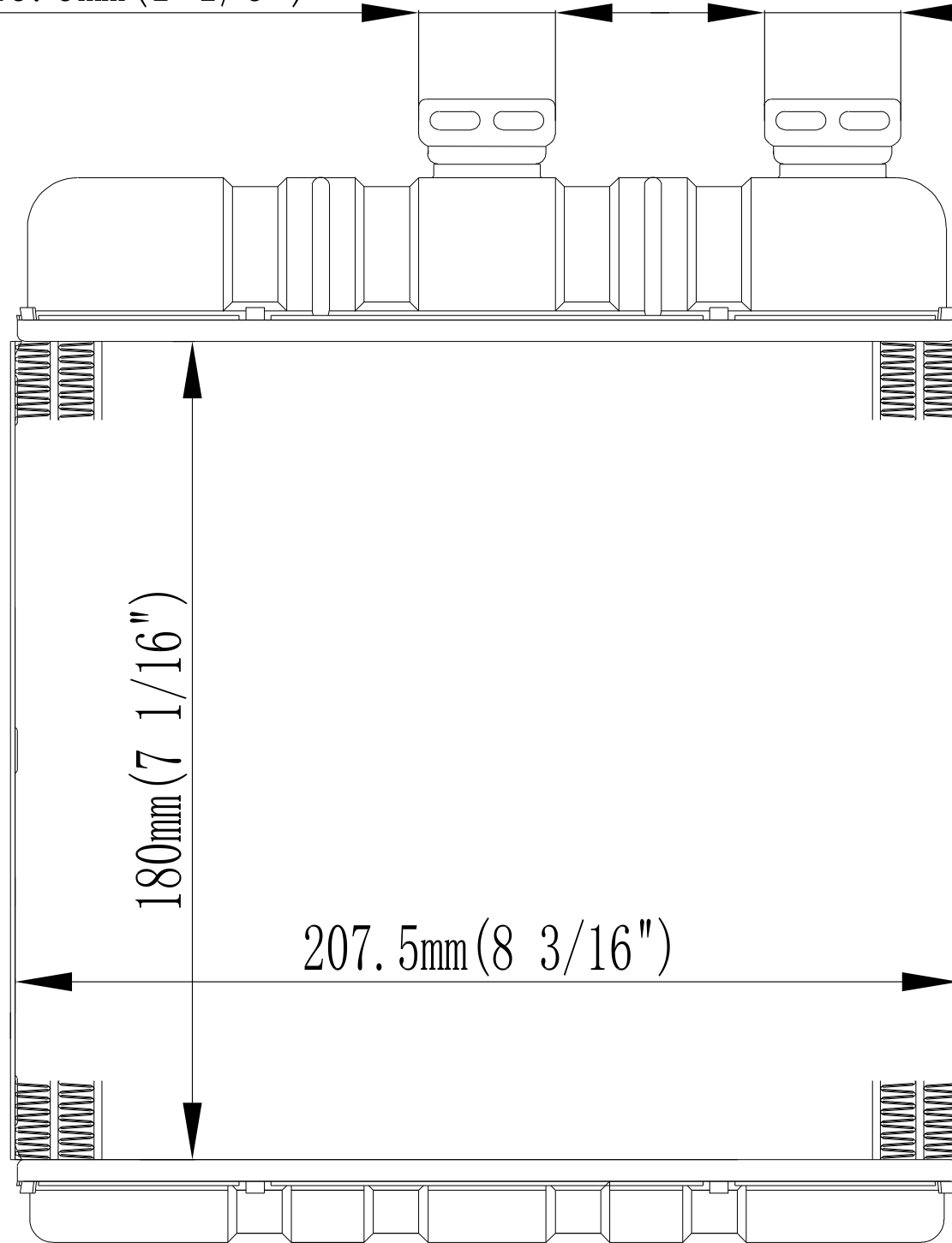


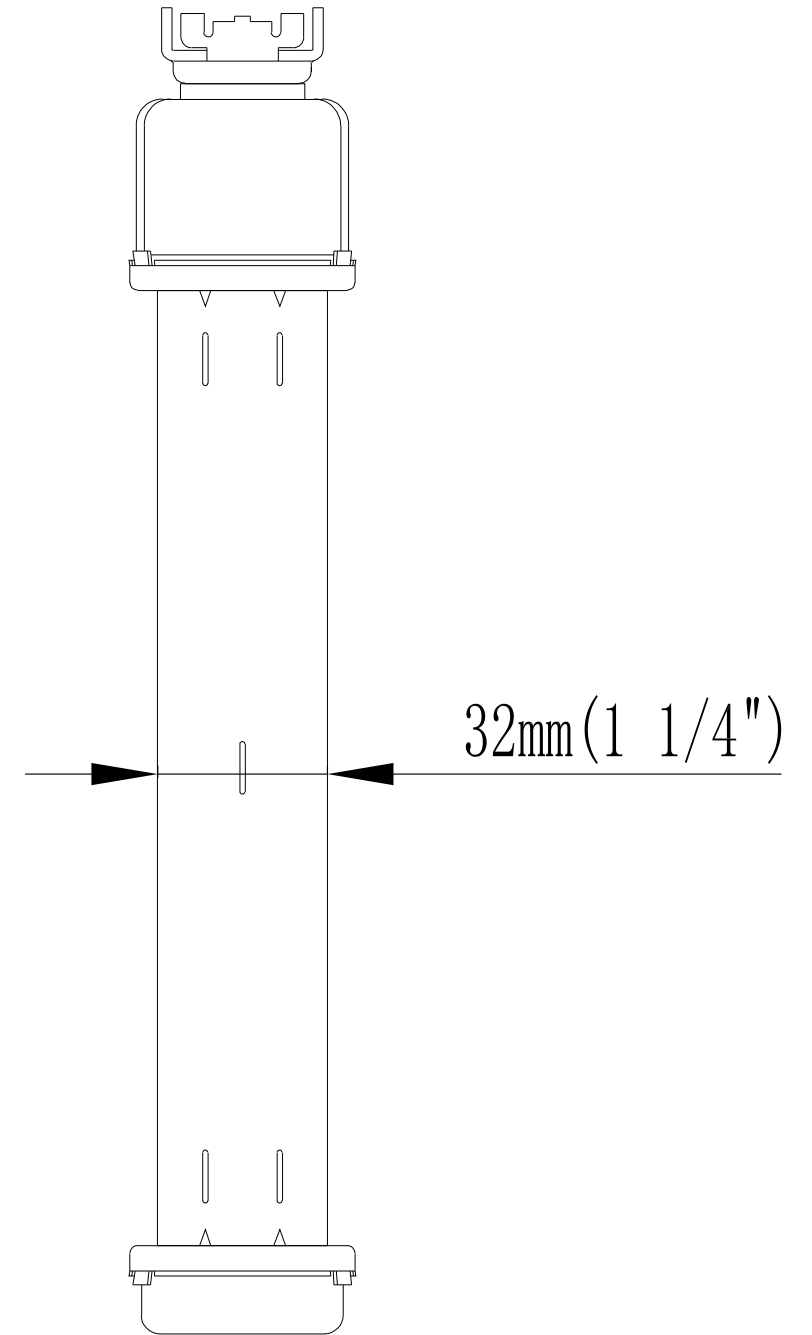
$\phi 28.3\text{mm}$  (1 1/8")

$\phi 28.3\text{mm}$  (1 1/8")



180mm (7 1/16")

207.5mm (8 3/16")



32mm (1 1/4")