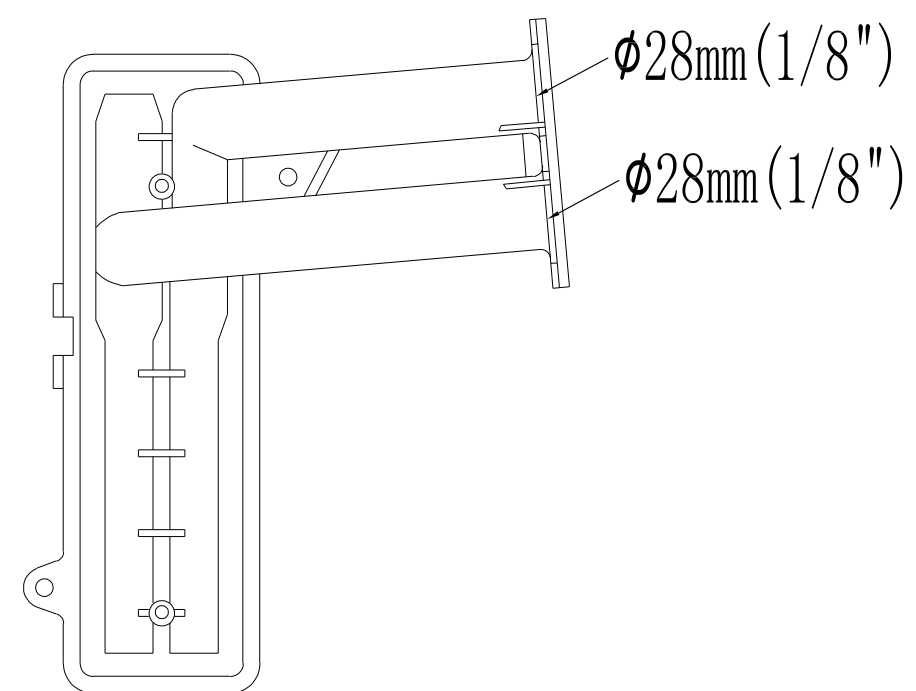


芯厚42mm (1 5/8")



φ28mm (1/8")

φ28mm (1/8")