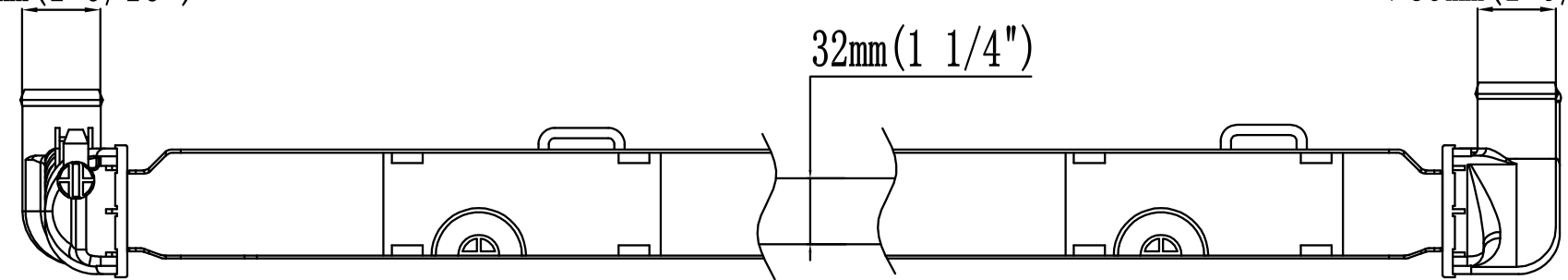


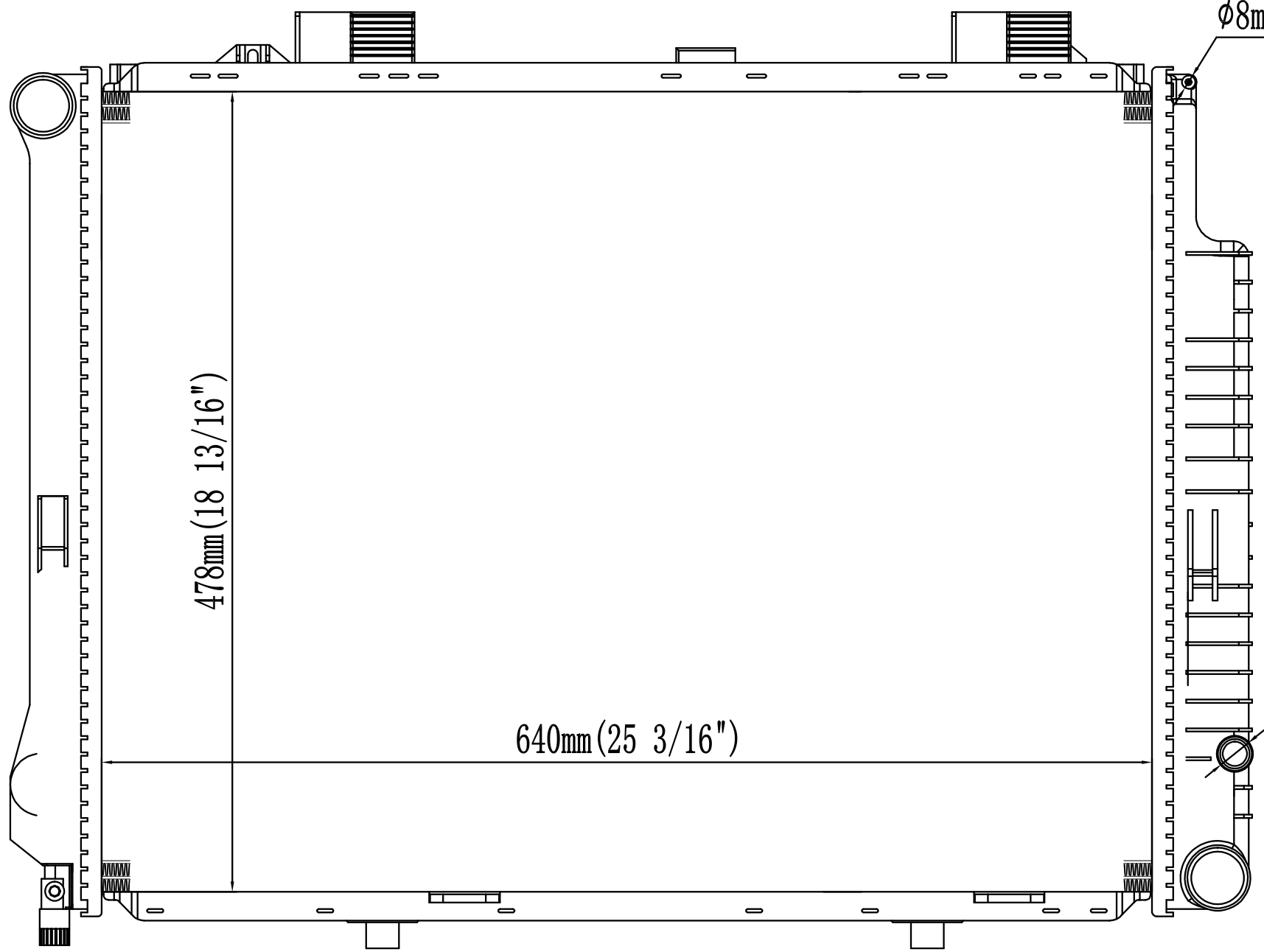
$\phi 39\text{mm}$  (1 9/16")

$\phi 39\text{mm}$  (1 9/16")

32mm (1 1/4")



$\phi 8\text{mm}$  (5/16")



$\phi 20\text{mm}$  (13/16")

478mm (18 13/16")

640mm (25 3/16")