



PRODUCT SHEET

ARTICLE NUMBER: GAT5150

DESCRIPTION: Petrol Engine Setting / Locking Tool Kit

INTRODUCTION

GAT5150 is the required engine and locking tool kit for the Belt-in-Oil on the 1.0 EcoBoost and 1.1 Ti-VCT 3-cylinder Ford engine.

Introduced in 2011, the Ford 1.0 turbo, 3-cylinder EcoBoost petrol engine is fitted in various cars and light commercial vehicles across the Ford range. Since its introduction in the 2011 model year Focus it has gained numerous awards, most notably winning 'International engine of the year' for 3 consecutive years (2012, 2013 & 2014).

The engine features a Belt-In-Oil that runs between the crankshaft and the twin camshaft VVT sprockets. The timing belt is a conventional arrangement, the exception being that the belt is encased in the engine and runs in oil, in a similar setup as a chain engine.

TITLE

CONTENT	ITEM	ARTICLE NUMBER	DESCRIPTION	OE REFERENCE
1	7468-10508	GAT5151	Camshaft locking tool Set	303-1605
2	7468-10509	GAT5152	Camshaft VVT adjustment tool Set	303-1606
3	7468-10510	GAT5153	Crankshaft Setting Pin	303-1604
4	7468-10511	GAT5154	Flywheel Locking Tool	303-1602
5	7468-11048	GAT4640T7	Tensioner Locking Pin	303-1054
6	7468-11027	GAT4735P15	Crankshaft Pulley Positioning Pin	303-732

APPLICATION INFO

1.0 EcoBoost and 1.1 Ti-VCT 3-cylinder petrol engines in:

BRAND	MODEL			
FORD	Fiesta	B-Max	Focus	C-Max
	Grand C-Max	Ecosport	Transit Courier	Tourneo Courier
	Transit Connect	Tourneo Connect	Mondeo	



PRODUCT SHEET



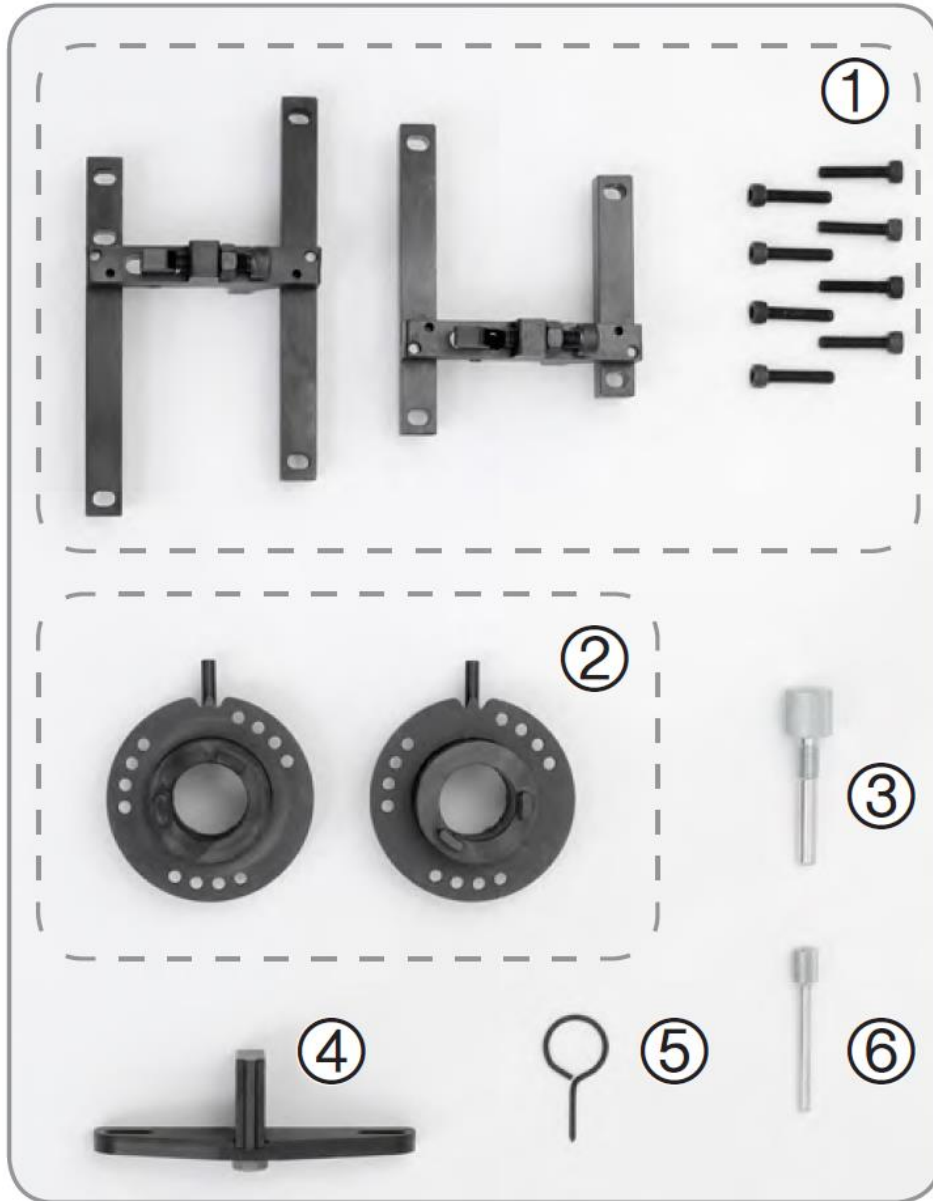
ENGINE CODES				
M1CA	M1JE	M2GA	SFCA	SFJC
M1CB	M1JH	M2GB	SFCB	SFJD
M1DA	M1JJ	P4JA	SFCC	XMJA
M1DD	M2DA	P4JB	SFCD	XMJB
M1JA	M2DB	P4JC	SFJA	XMJC
M1JC	M2DC	P4JD	SFJB	XMJD

KIT CONTENT IMAGE





PRODUCT SHEET





PRODUCT SHEET

Associated Tools



7468-11254 – GAT6160 – 5:1 Torque Multiplier Set



7468-11255 – GAT5252 – Crank Seal Installer