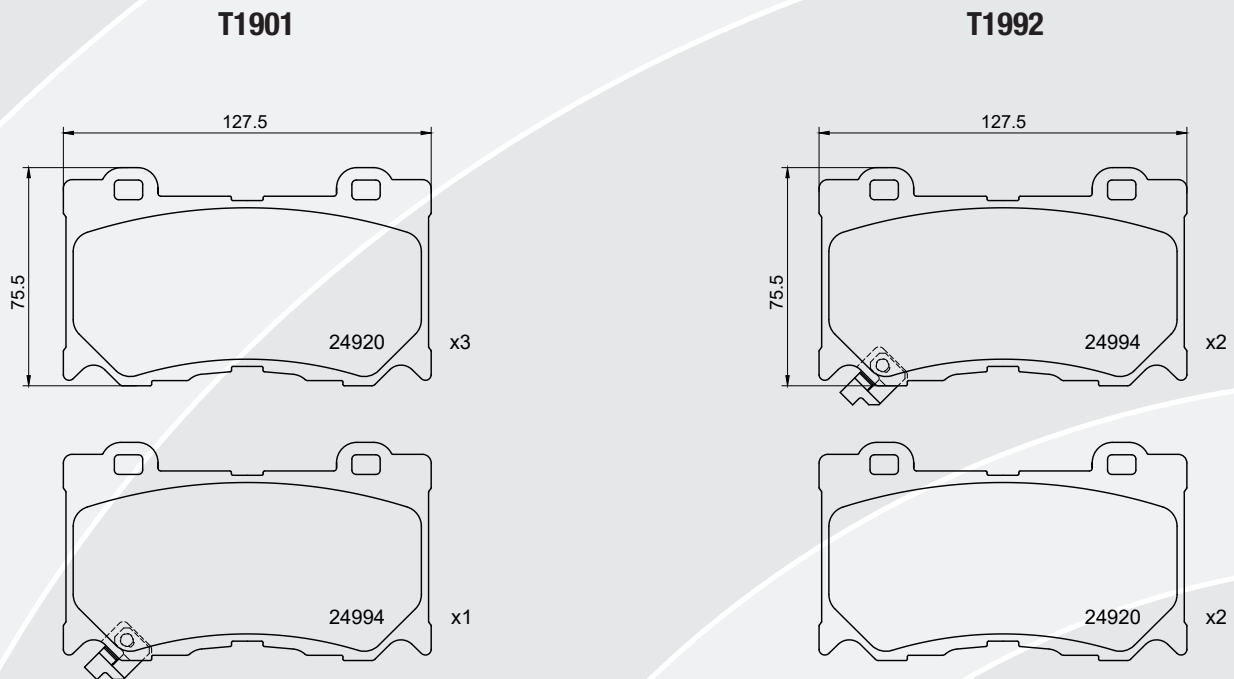


## Replacement of T1901 by T1992

Pagid is now able to harmonize the references T1901 and T1992. It was proved that T1992 could also cover the applications of T1901.

The differences between T1901 and T1992 are the number of acoustic wear indicators that T1992 contains. There will be no difficulties during installation, operation and functionality dimensionally.



As usual, existing stock of T1901 can be sold out without any problems.