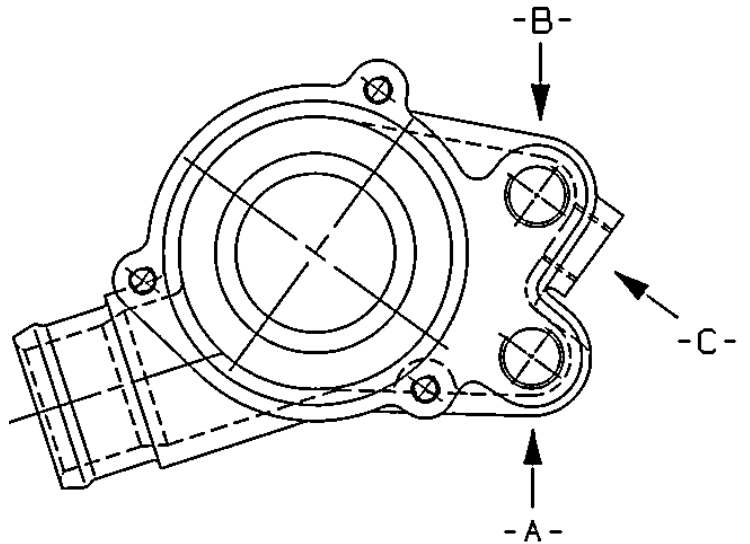


**ISTRUZIONI DI MONTAGGIO**  
**INSTRUCTIONS DE MONTAGE**  
**INSTRUCTIONS FOR MOUNTING**  
**EINBAUhinweise**  
**INSTRUCCIONES DE MONTAJE**



WATER PUMP REF	O.E. REF	INSTRUCTIONS
24-0584 24-0661 24-0610 24-0580	104.200.30.01 104.200.28.01 104.200.32.01 104.200.33.01	FORI SENZA TAPPI TROUS SANS BOUCHON HOLES WITHOUT PLUG LOECHER OHNE STOPFEN AGUJEROS SIN TAPON
24-0584 24-0661 24-0610 24-0580	104.200.46.01 104.200.45.01 104.200.48.01 104.200.47.01	TAPPARE FORO-C- BOUCHER TROU -C- BLANK HOL -C- LOCH -C- VERSTOPFEN TAPAR AGUJERO -C-
24-0661 24-0580	100.200.49.01 100.200.44.01	TAPPARE FORI -A-C- BOUCHER TROUS -A-C- BLANK HOLES -A-C- LOCHER -A-C- VERSTOPFEN TAPAR AGUJEROS -A-C-

VISTR580\_661