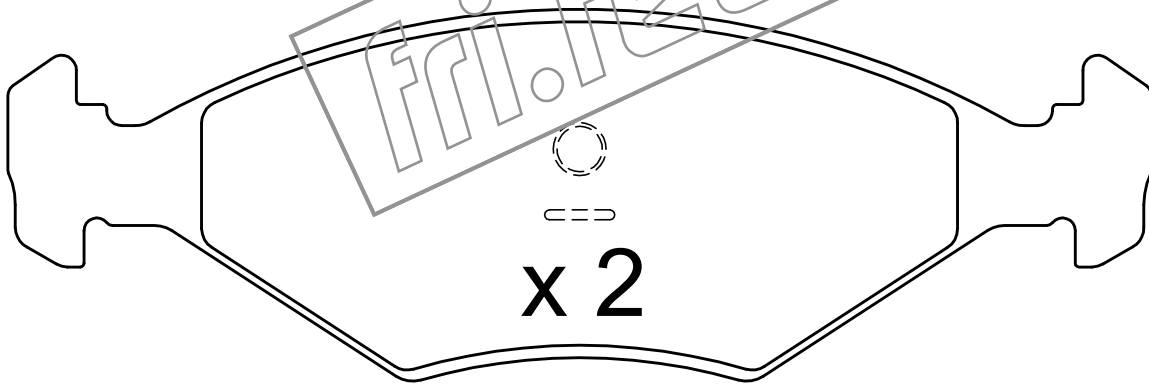
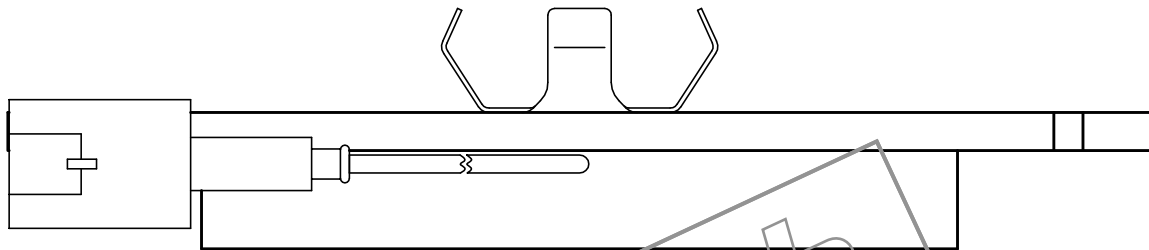
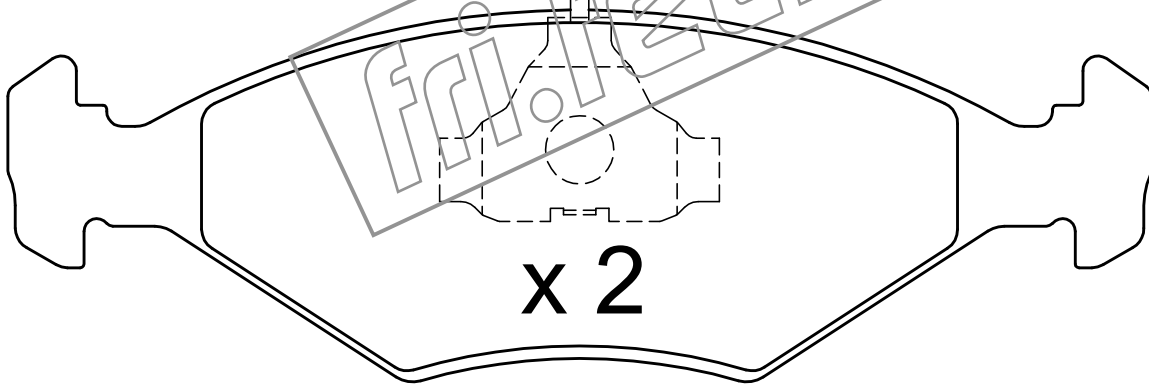
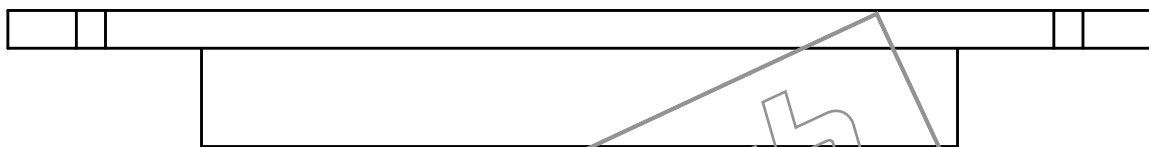


L = 260



151.4

49.4



18

fri.tech.