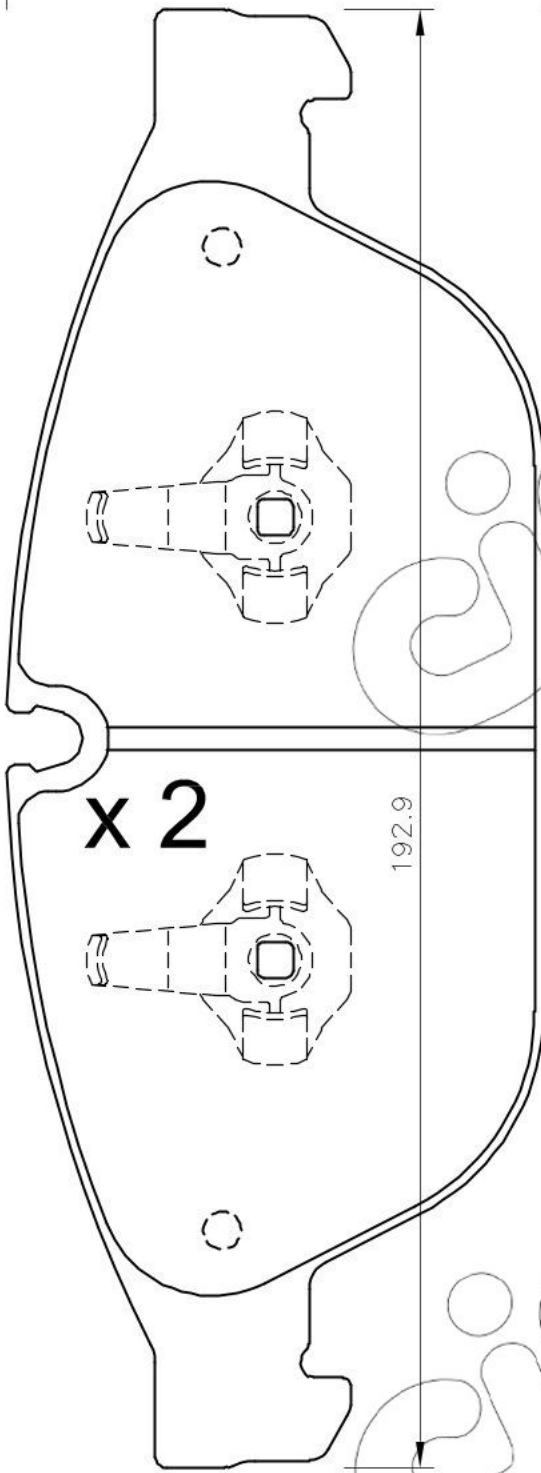


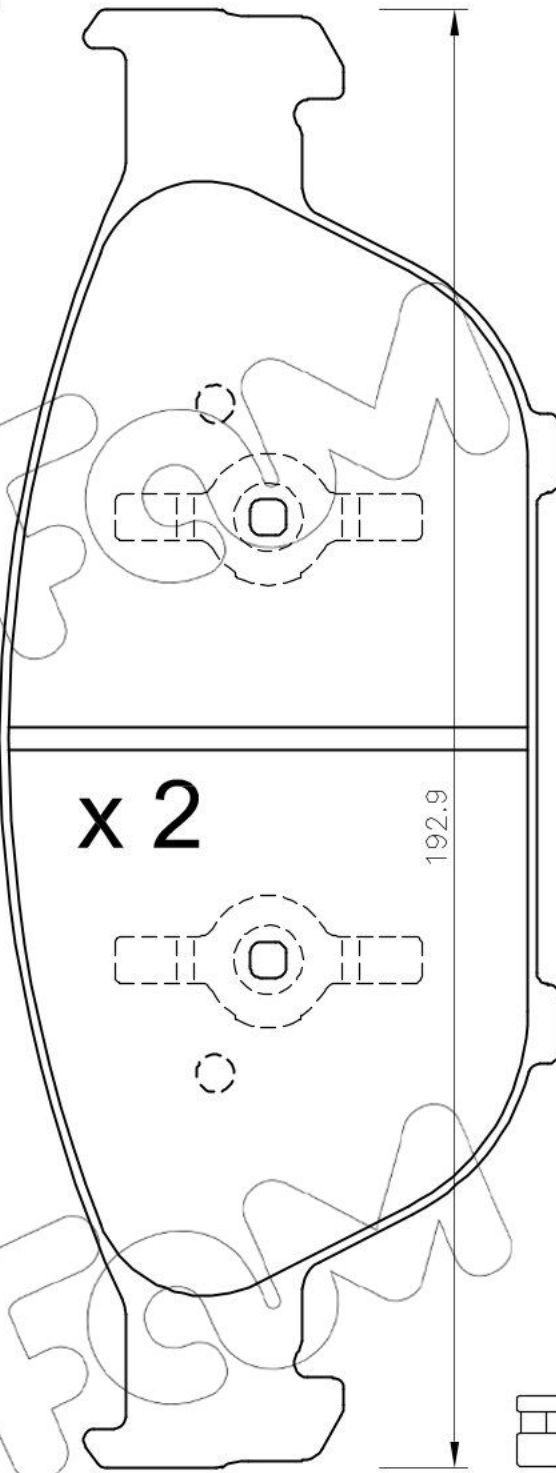
70.9

74



x 2

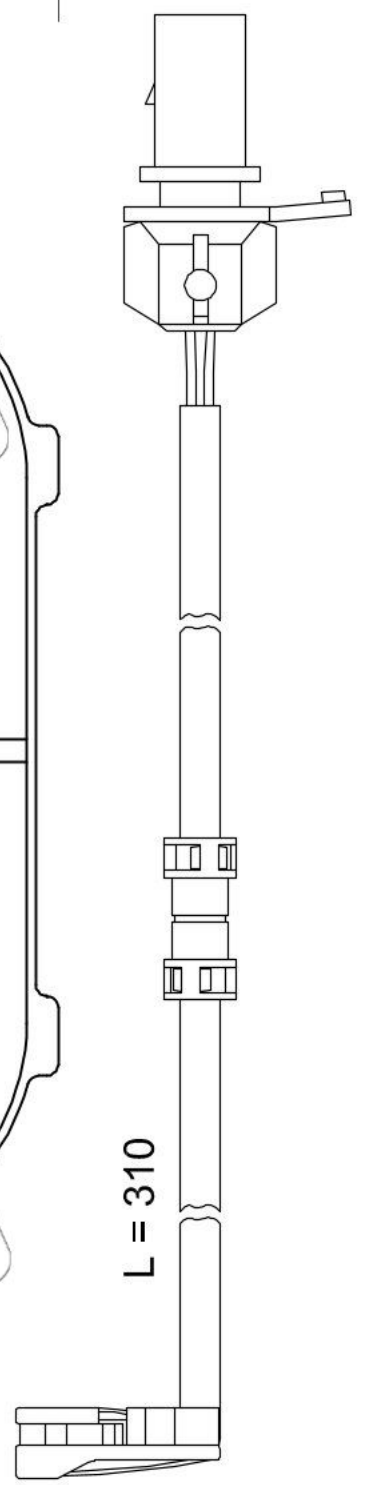
192.9



x 2

192.9

x 2



L = 310