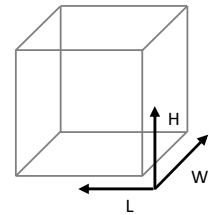
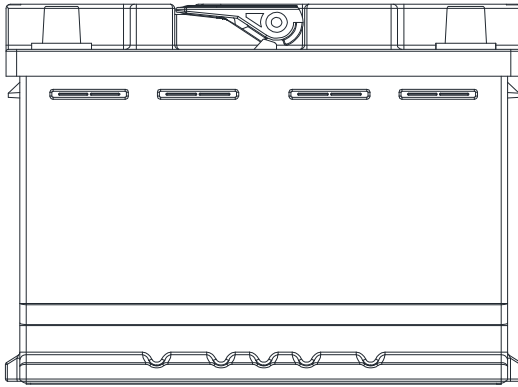
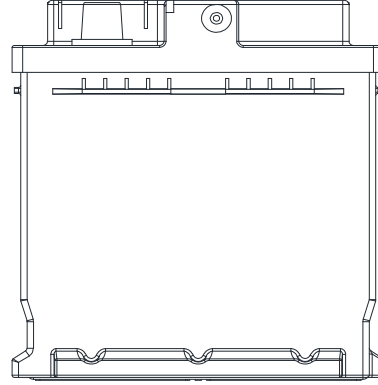
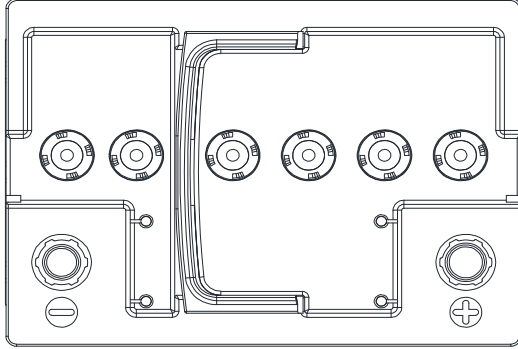


TECHNICAL DATA SHEET



PERFORMANCE		CONTAINER	
VOLTAGE(V):	12 V	Group:	L2 L.GRAY
C20(Ah):	60 Ah	Hold Down:	B13
RC(min):	110 min	Please refer to the catalog or our website for the details of hold down types of the battery container.	
CCA(A):	680 EN	COVER	
Vibration:	V3	Type:	6-valved cap L.GRAY
Endurance:	E4	Polarity:	L
Water consumption:	W5	Terminals:	Standard
Technology:	VRLA	Filter:	2 Filters both sides
Grid alloy:	Ca/Ca	HANDLES	
WEIGHT AND STD. DIMENSION		Handles:	1 handles
Battery weight(kg):	17,81	REMARK	
Volume acid(l):	3,02		
Length(mm):	242		
Width(mm):	174		
Height(mm):	190		
Total Height(mm):	190		