



FL 1504
For technical personnel only!
1/2

PRODUCT APPLICATION

PERMAGLIDE® PLAIN BEARINGS BEARINGS OF THE GRIPPERS IN FILM STRETCHING MACHINES

SECTOR: PACKAGING INDUSTRY

PRODUCT USED:

Permaglide® plain bearing flange bush design PAF ... P180

Function

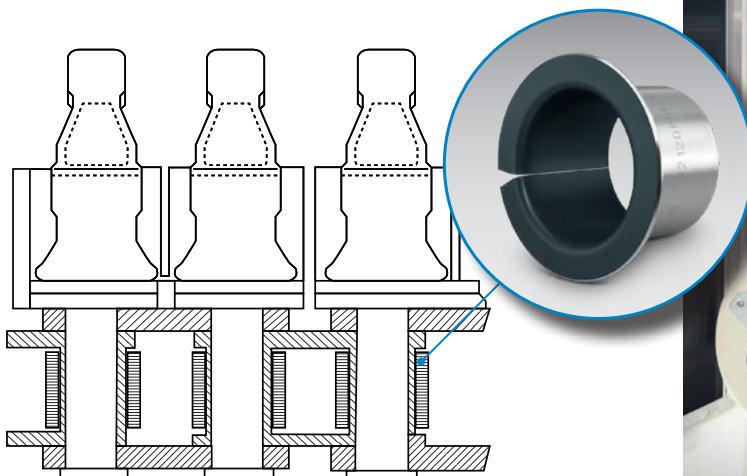
To give film special characteristics, e.g. tear strength or shrink properties, the films are machined on film stretching machines. The machined films are used for packaging and in technical areas of application, for example. Hundreds of carriages are arranged one behind the other in film stretching machines. These carriages are known as grippers and are used for gripping and clamping the film.

Bearing of the grippers on film stretching machines with Permaglide® P180 plain bearing flange bushes

The bearing positions are subject to an oscillating movement. The bushes are used in continuous operation for up to 4 years.

Advantage: Reliable function of the bearing with Permaglide® P180 plain bearings

- Maintenance-free operation under dry-running conditions
- Good chemical resistance
- Low friction value
- suitable for oscillating movements up to a speed of 2 m/s
- Temperature range -200°C to 280°C



Bearing of the grippers with Permaglide® P180 plain bearing flange bushes



Packaging machine



FL 1504

For technical personnel only!
2/2

Description of material

Permaglide® P180 is a universal plain bearing material for both dry and lubricated applications. The composite, multi-layered material excels thanks to its high rigidity, durability, high chemical resistance and good emergency running properties. These properties are primarily achieved due to the tin bronze sintered onto a steel base and the friction-reducing additives consisting of the fluoropolymer PTFE and barium sulphate.



Further information on Permaglide® plain bearings

- Permaglide® catalogue, item no. 50003863-02
- Permaglide® online catalogue shop.permaglide.com

