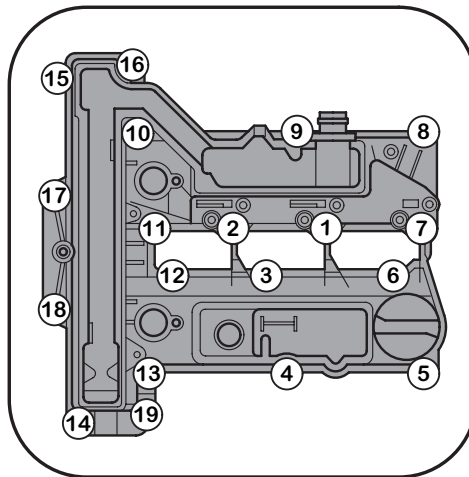
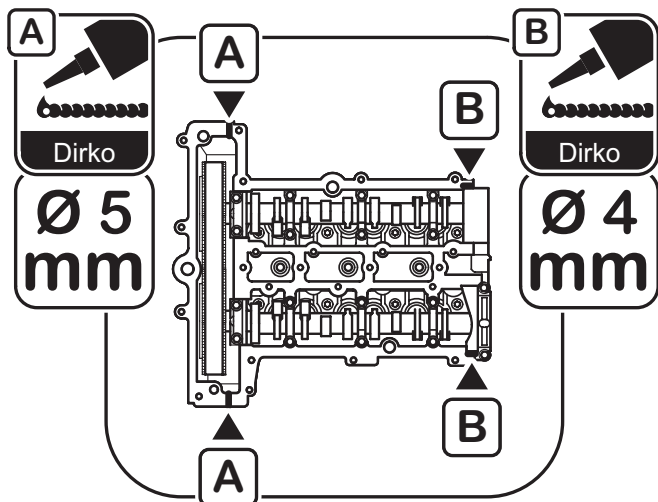


## Reihenfolge/Sequence/Commander/Sucesión/安装顺序



## Wert/Figure/Valeur/Valor/扭矩

		Pos. 1-19
		Pos. 1-19: 10 Nm   7.38 ft-lb (US)

## Motortyp/Engine type/Type de moteur/Tipo de motor/发动机型号

**FORD:** B3GA | SFCA | SFCB | SFCC | SFCD | SFCE | SFCF | SFDA | SFDB | SFJA | SFJB | SFJC | SFJD | M1CA | M1CB | M1DA | M1DC | M1DD | M1JA | M1JC | M1JE | M1JH | M1JJ | M1JU | M2DA | M2DB | M2DC | M2GA | M2GB

OE # 1 891 210