

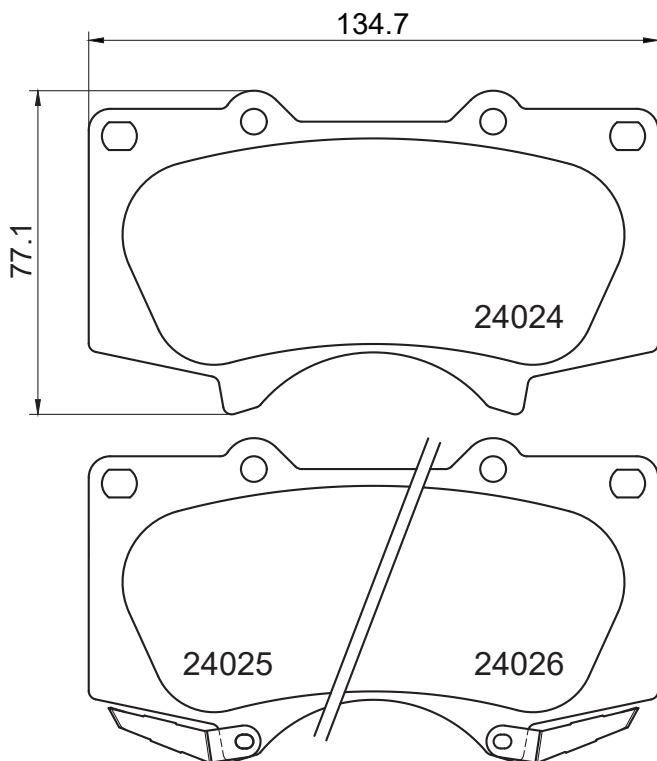
## Replacement of T1368 with T1795.

Pagid aims to streamline the designation of T1368 to T1795.

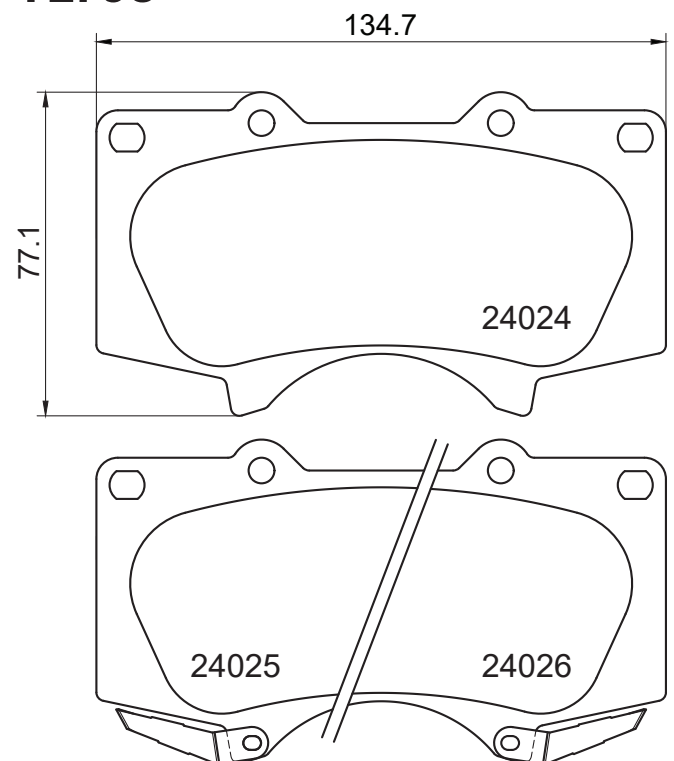
Given the identical outer dimensions of the brake pads, we can ensure seamless assembly and operation. The difference between T1795 and T1368 is the T1795 thickness is slightly thinner, and the friction material is upgraded.

This consolidation extends coverage to a broader range of vehicles under a singular reference, namely T1795 which is already covering applications of both part numbers.

### T1368



### T1795



The current inventory of T1368 can be effortlessly marketed and sold without any complications.