



Tightening torque

Centred around wheel bolt / Fig. no. 1

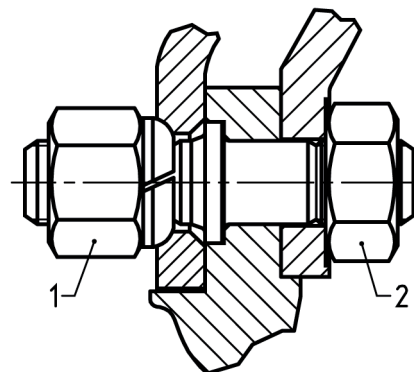
Stage 1 = 60 Nm

Stage 2 = 430 Nm

Centred around wheel bolt / Fig. no. 2

Stage 1 = 60 Nm

Stage 2 = 640 Nm



Please check tightening torques regularly !

Use a torque spanner to ensure that the specified torques are accurately maintained.

If the wheels were off, check and re-tighten the wheel nuts after about 200 km of driving.

