



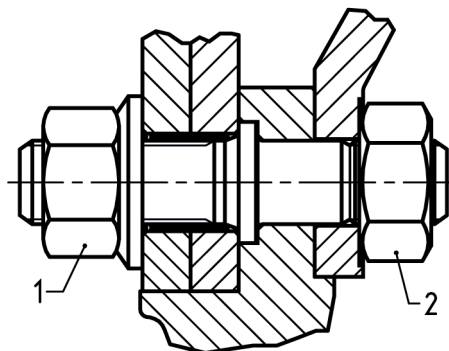
Tightening torque

Centred around centre / Fig. no. 1

Stage 1 = 60 Nm
Stage 2 = 600 Nm

Centred around centre / Fig. no. 2

Stage 1 = 60 Nm
Stage 2 = 640 Nm

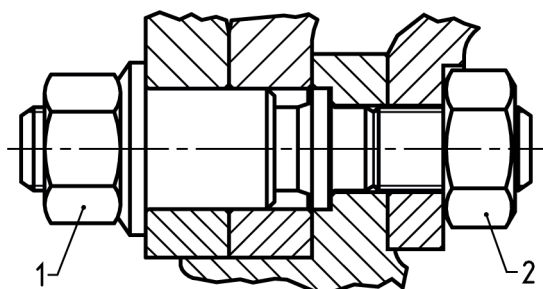


Centred around centre /
 aluminium wheels / Fig. no. 1

Stage 1 = 60 Nm
Stage 2 = 600 Nm

Centred around centre /
 aluminium wheels / Fig. no. 2

Stage 1 = 60 Nm
Stage 2 = 640 Nm



Please check tightening torques regularly !

Use a torque spanner to ensure that the specified torques are accurately maintained.

If the wheels were off, check and re-tighten the wheel nuts after about 200 km of driving.

