



AFTERMARKET

Repair kits for BASICPOWER

Asian Off-Highway Applications

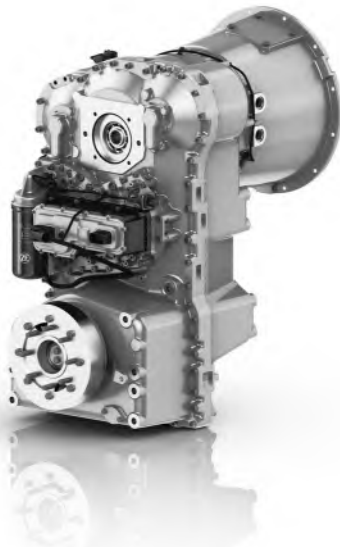


ZF Aftermarket is at the forefront of innovation, offering a wide range of transmission products designed to enhance vehicle performance and efficiency. Our offerings include complete transmission units that ensure smooth and reliable power delivery, alongside high-quality bearings and sealings that guarantee optimal lubrication and protection. With our wider portfolio of gear parts, range selectors, oils and lubricants as well as oil filters, electronics (including control units), torque converters and swing drives – amongst many more – make ZF Aftermarket THE partner when it comes to high-performance transmissions for construction machinery.

ZF BASICPOWER Repair Kits

Taking into consideration the challenges of the modern workshop and in order to minimize the downtime of the vehicle, ZF Aftermarket created a set of repair kits that will make the life of a workshop technician much easier and will reduce the time for spare parts search and ordering, as well minimize the risk of a wrong part ordering. Apart from simplifying the ordering process, stock-holding challenge, the customer will get a price advantage in comparison to single part ordering.

Based on years of technical experience in ZF owned workshops, repair kits have recently been defined for selected product ranges.





Through the launch of these repair kits, complexity is significantly reduced, not only for our customers, but also for ZF since:

- One kit part number being applicable to multiple transmission part numbers.
- Individual component part numbers do not have to be ordered, reducing the risk of ordering the incorrect individual part number.
- Stock-holding is simplified as fewer part numbers have to be kept in stock, simplifying the task of forecasting for our customers.

The repair kits offered in this brochure are applicable to the following BASICPOWER transmission variants:

- 4681.054.015 4 BP 210
- 4681.084.018 4 BP 230
- 4681.084.019 4 BP 230
- 4681.084.020 4 BP 230

In order to verify whether or not the list of kits are applicable to your transmission, please refer to the data-plate on the transmission and ensure that it is one of the above parts list numbers.

 Engineered by ZF Friedrichshafen AG, Germany Manufactured by Liuzhou ZF Machinery Co. Ltd, China		
Type		
①		
Parts List No.	Serial No.	
③	④	
Customer's Part No.	TE-ML	
⑤	⑥	
Characteristic		

1. Product designation
2. Optional QR Code
3. Parts list [BoM] number
4. Serial number
5. Customer spec. number, if known to ZF
6. Number of List of Lubricants

The following data should always be quoted when making inquiries or undertaking repairs: 1, 3, 4

Contents

1 Kit overview	4
K1 - Clutch kit - 4681.298.014	4
K2/K3 Clutch kit - 4681.298.015	4
K4 Clutch kit - 4681.298.016	4
KV/KR Clutch kit - 4681.298.017	4
K1 - Steel disc kit - 4681.298.018	5
K2/K3 - Steel disc kit - 4681.298.019	5
K4 - Steel disc kit - 4681.298.020	5
KV/KR - Steel disc kit - 4681.298.021	5
Flex plate kit - 4681.298.022	5
Seal kit - 4681.298.023	6
Electrical kit - 4681.298.024	6
Input & Output bearing kit - 4681.298.025	6
2 Clutch kit	7
3 Steel disc kit	10
4 Flex plate kit - 4681.298.022	12
5 Seal kit - 4681.298.023	13
6 Electrical kit - 4681.298.024	14
7 Bearing kit - 4681.298.025	15

Kit overview

K1 - Clutch kit

4681.298.014

P/N	Description	Qty
0734.401.267	Piston ring	2
0634.313.643	O-Ring	1
0634.313.719	O-Ring	1
0501.212.373	Outer clutch disc	2
0501.212.372	Disc	8
0730.513.686	Snap ring - h = 2.40	1
0730.513.688	Snap ring - h = 2.70	1
0730.513.689	Snap ring - h = 3.00	1
0730.513.691	Snap ring - h = 3.30	1

K2/K3 Clutch kit

4681.298.015

P/N	Description	Qty
0734.401.267	Piston ring	2
0634.313.574	O-Ring	1
0634.313.498	O-Ring	1
0501.212.368	Friction disc	2
0501.212.369	Disc	7
0730.513.417	Snap ring - h = 2.40	1
0730.513.669	Snap ring - h = 2.70	1
0730.513.671	Snap ring - h = 3.00	1
0730.513.673	Snap ring - h = 3.30	1

K4 Clutch kit

4681.298.016

P/N	Description	Qty
0734.401.267	Piston ring	2
0634.313.574	O-Ring	1
0634.313.498	O-Ring	1
0501.212.368	Friction disc	2
0501.212.369	Disc	5
0730.513.417	Snap ring - h = 2.40	1
0730.513.669	Snap ring - h = 2.70	1
0730.513.671	Snap ring - h = 3.00	1
0730.513.673	Snap ring - h = 3.30	1

KV/KR Clutch kit

4681.298.017

P/N	Description	Qty
0734.401.267	Piston ring	2
0634.313.643	O-Ring	1
0634.313.719	O-Ring	1
0501.212.370	Disc	9
0501.212.371	Friction disc	2
0730.513.703	Snap ring - h = 2.40	1
0730.513.705	Snap ring - h = 2.70	1
0730.513.707	Snap ring - h = 3.00	1
0730.513.709	Snap ring - h = 3.30	1

K1 - Steel disc kit

4681.298.018

P/N	Description	Qty
0501.316.591	Inner clutch disc	9

K2/K3 - Steel disc kit

4681.298.019

P/N	Description	Qty
0501.316.590	Inner clutch disc	8

K4 - Steel disc kit

4681.298.020

P/N	Description	Qty
0501.316.590	Inner clutch disc	6

KV/KR - Steel disc kit

4681.298.021

P/N	Description	Qty
0501.316.592	Inner clutch disc	10

Flex plate kit

4681.298.022

P/N	Description	Qty
4681.330.012	Diaphragm	3
0636.102.411	Hexagon Screw	4
0730.105.318	Thrust washer	4

Seal kit

4681.298.023

P/N	Description	Qty
0634.306.287	O-ring	1
0634.402.557	R-Ring	3
4656.301.023	Gasket	1
0634.314.304	O-ring	1
0634.313.233	O-ring	1
0634.306.213	O-ring	6
0750.131.027	Breather	1
0734.401.267	Piston ring	12
0634.313.643	O-Ring	3
0634.313.719	O-Ring	3
0634.313.574	O-Ring	3
0634.313.498	O-Ring	3
1269.302.164	Locking plate	2
0634.303.466	O-ring	2
0734.319.445	Shaft seal	2
0634.304.616	O-ring	1
4681.354.013	Cover plate	1

P/N	Description	Qty
4681.306.010	Gasket	1
0634.313.366	O-ring	2
0634.306.523	O-ring	3
0634.303.144	O-ring	1
4681.306.007	Intermediate sheet	1
4660.359.018	Intermediate sheet	1
0501.211.384	Valve	1
0634.313.999	O-ring	1
0634.311.837	Shaft seal	1
0634.313.215	O-ring	10
4656.337.010	Gasket	1
0634.306.053	O-ring	2
0501.298.690	Filter complete	1
4642.331.216	Gasket	2
4644.301.014	Cover plate	2
0501.339.370	Gasket	1

Electrical kit

4681.298.024

P/N	Description	Qty
0501.322.532	Temperature sensor	2
0501.210.966	Tappet Switch	1
0501.335.152	Pressure regulator	6
6029.027.067	Cable off-road	1
0501.328.675	Speed sensor	4
6029.027.087	Cable off-road	1

Input & Output bearing kit

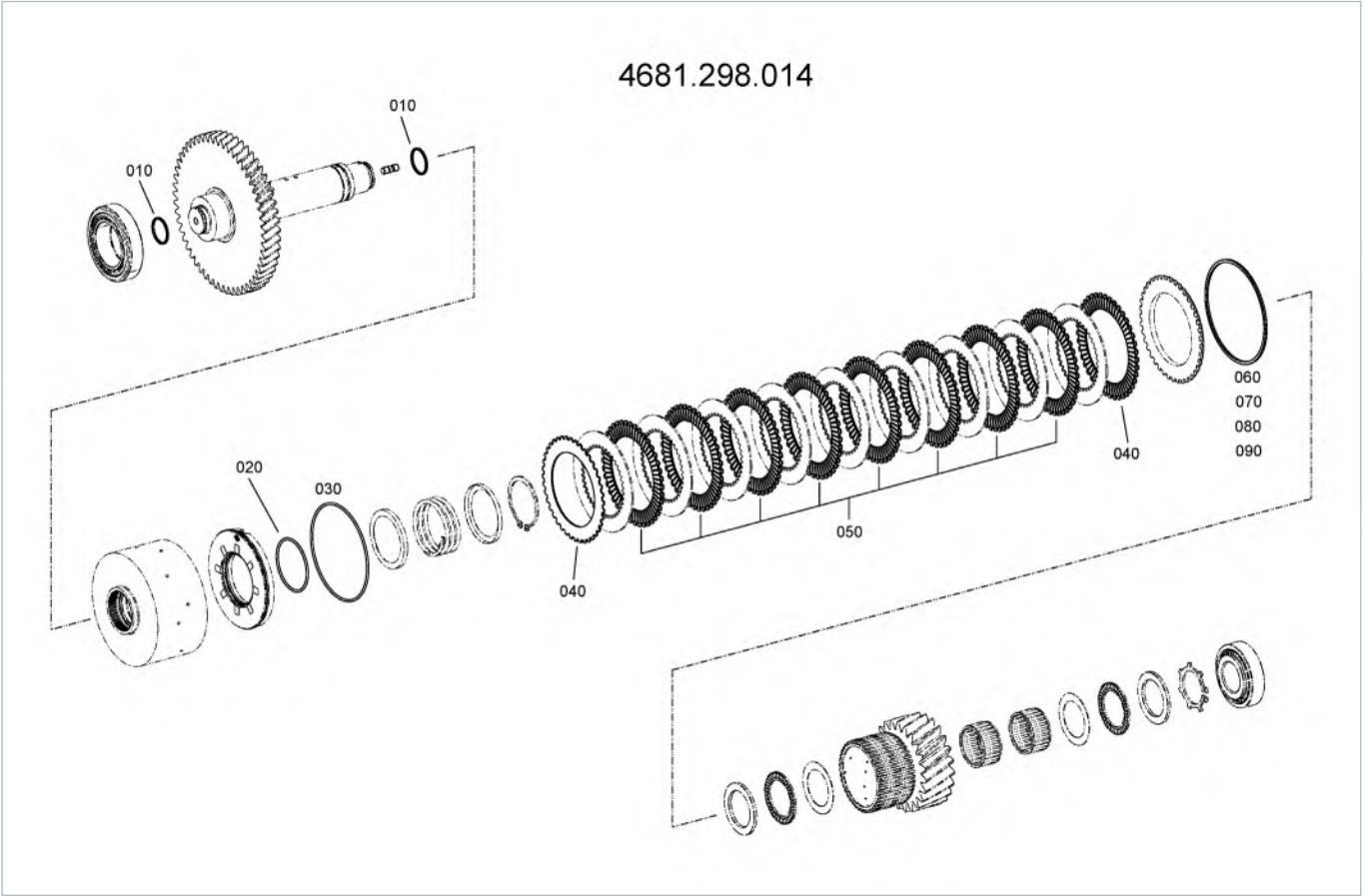
4681.298.025

P/N	Description	Qty
0735.372.296	Taper roller bearing	2
0735.372.297	Taper roller bearing	2

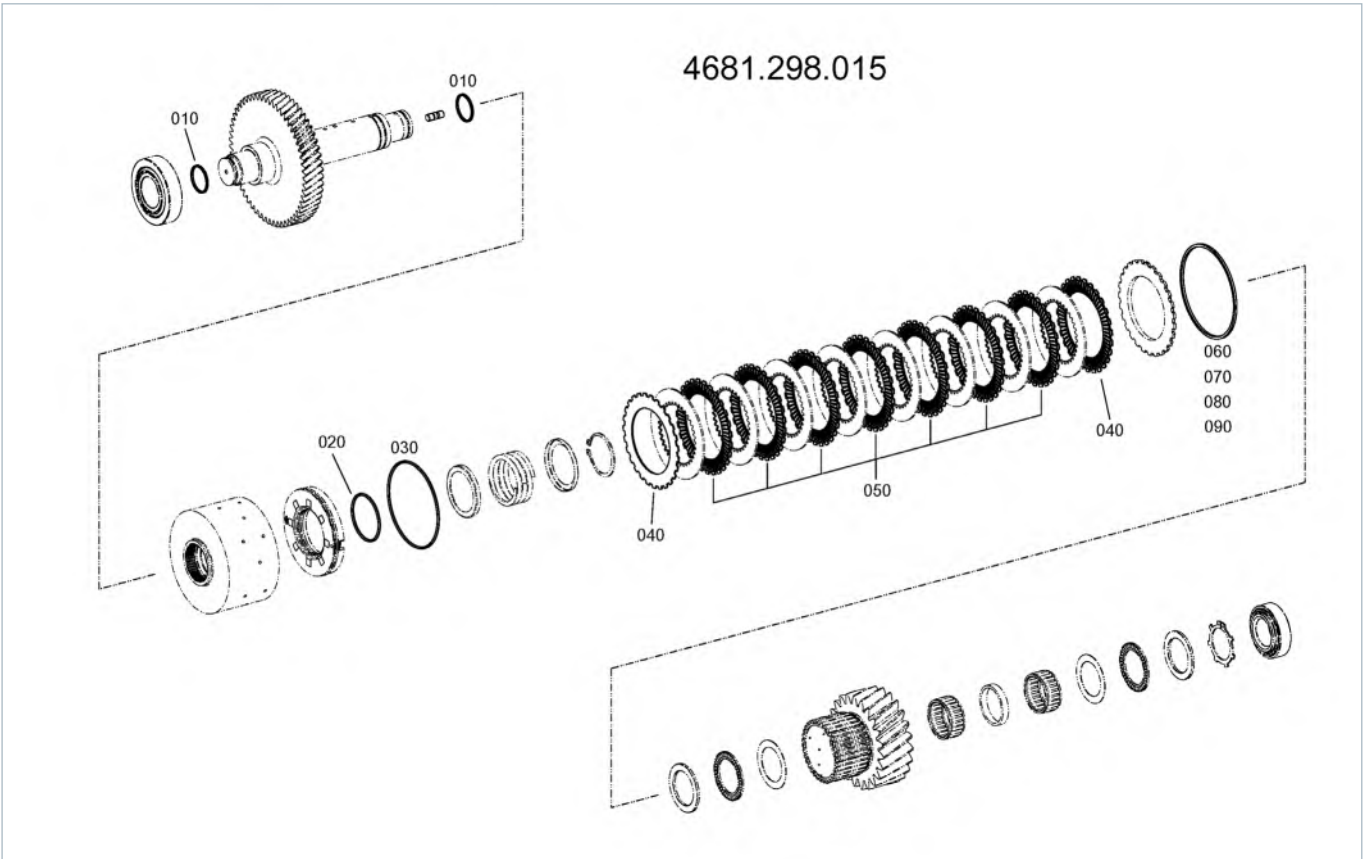
Clutch kit

P/N	Description	K1		K2		K3		K4		KV		KR	
		Position	Qty	Position	Qty	Position	Qty	Position	Qty	Position	Qty	Position	Qty
0734.401.267	Piston ring	010	2	010	2	010	2	010	2	010	2	010	2
0634.313.643	O-Ring	020	1							020	1	020	1
0634.313.719	O-Ring	030	1							030	1	030	1
0501.212.373	Outer clutch disc	040	2										
0501.212.372	Disc	050	8										
0730.513.686	Snap ring - h = 2.40	060	1										
0730.513.688	Snap ring - h = 2.70	070	1										
0730.513.689	Snap ring - h = 3.00	080	1										
0730.513.691	Snap ring - h = 3.30	090	1										
0634.313.574	O-Ring			020	1	020	1	020	1				
0634.313.498	O-Ring			030	1	030	1	030	1				
0501.212.368	Friction disc			040	2	040	2	040	2				
0501.212.369	Disc			050	7	050	7	050	5				
0730.513.417	Snap ring - h = 2.40			060	1	060	1	060	1				
0730.513.669	Snap ring - h = 2.70			070	1	070	1	070	1				
0730.513.671	Snap ring - h = 3.00			080	1	080	1	080	1				
0730.513.673	Snap ring - h = 3.30			090	1	090	1	090	1				
0501.212.370	Disc									040	9	040	9
0501.212.371	Friction disc									050	2	050	2
0730.513.703	Snap ring - h = 2.40									060	1	060	1
0730.513.705	Snap ring - h = 2.70									070	1	070	1
0730.513.707	Snap ring - h = 3.00									080	1	080	1
0730.513.709	Snap ring - h = 3.30									090	1	090	1

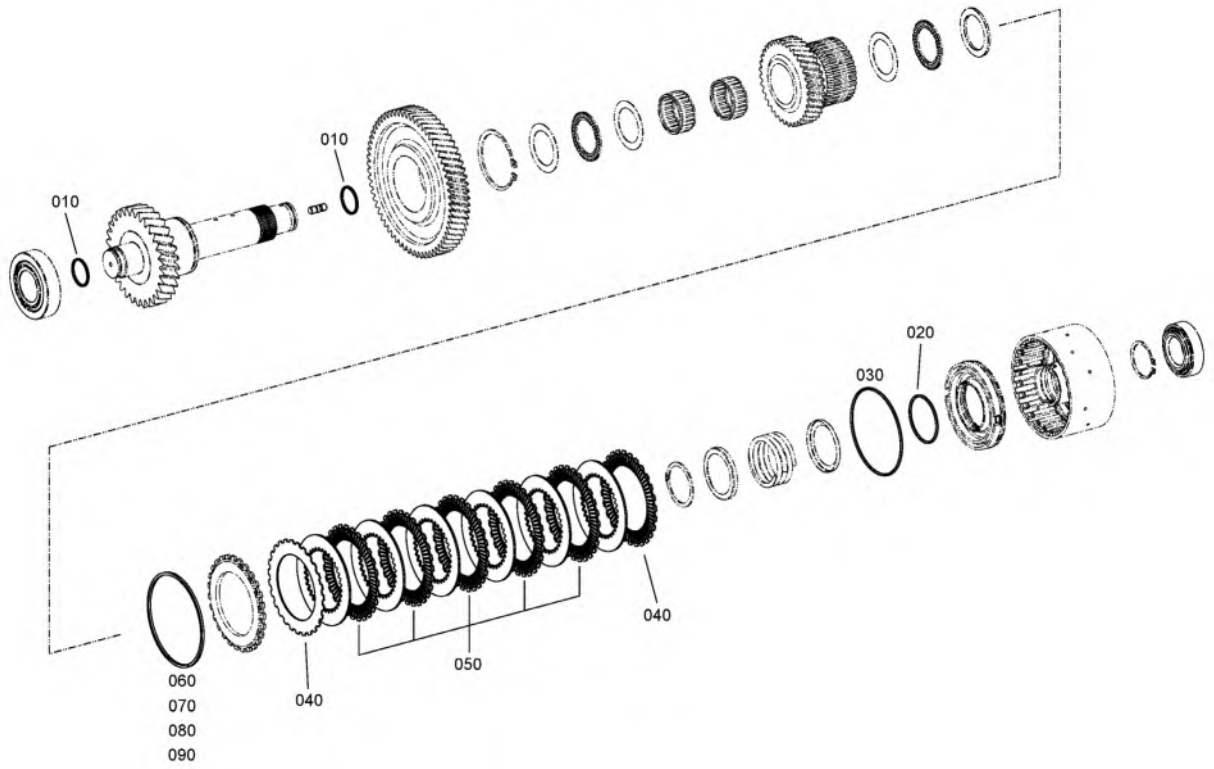
4681.298.014



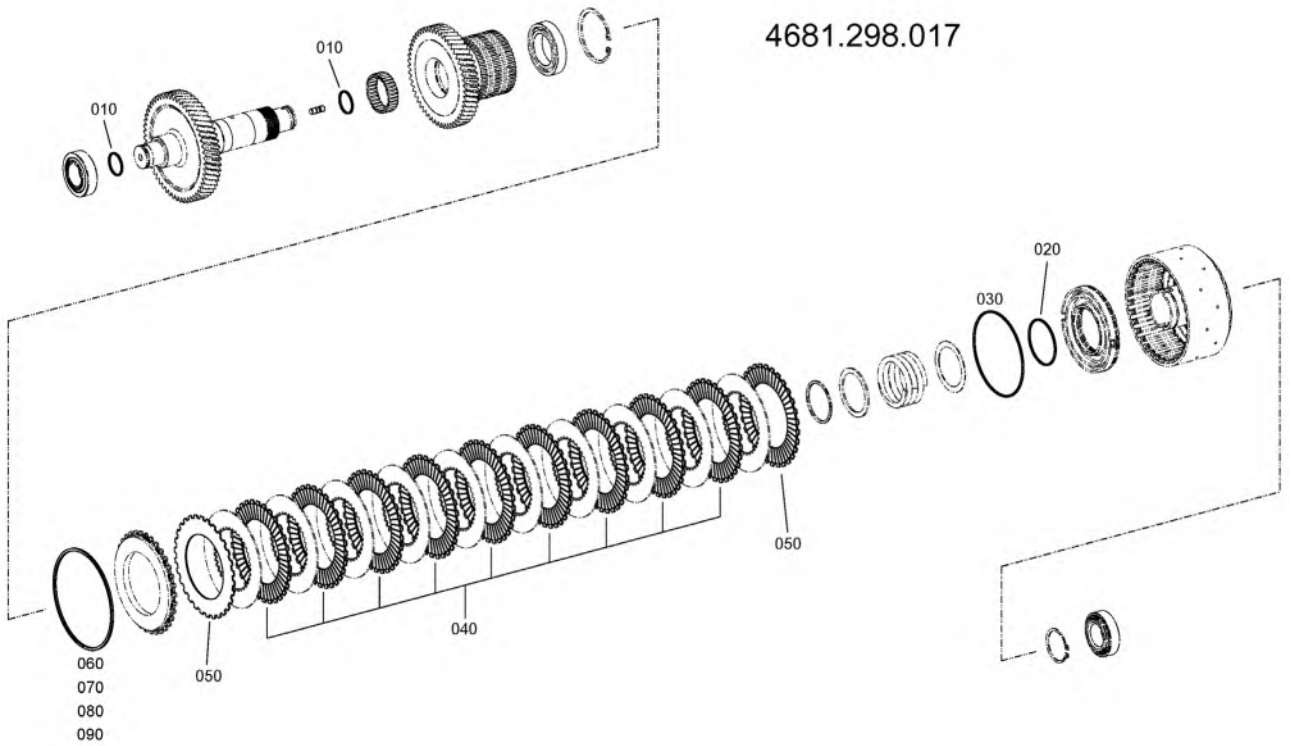
4681.298.015



4681.298.016

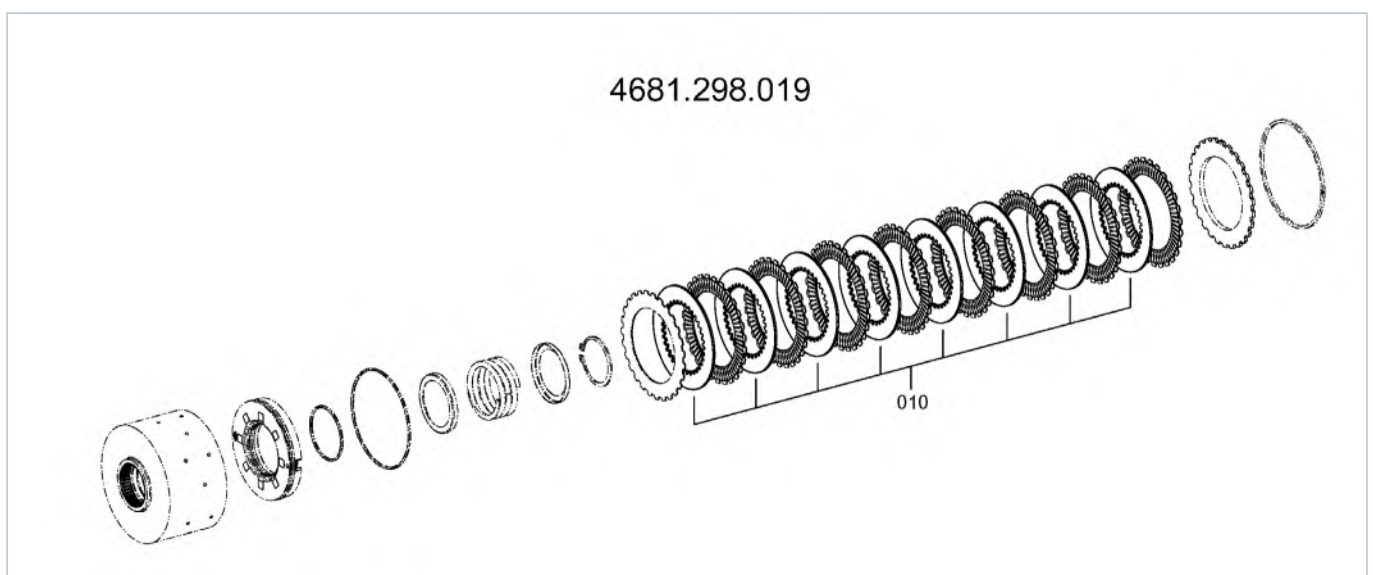
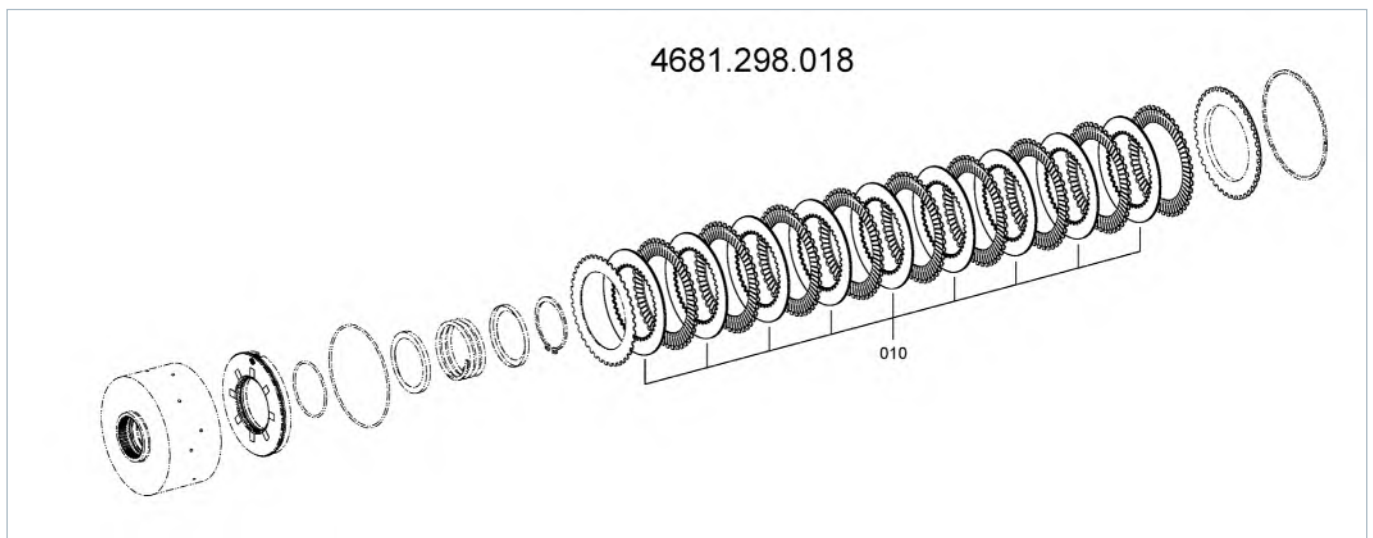


4681.298.017

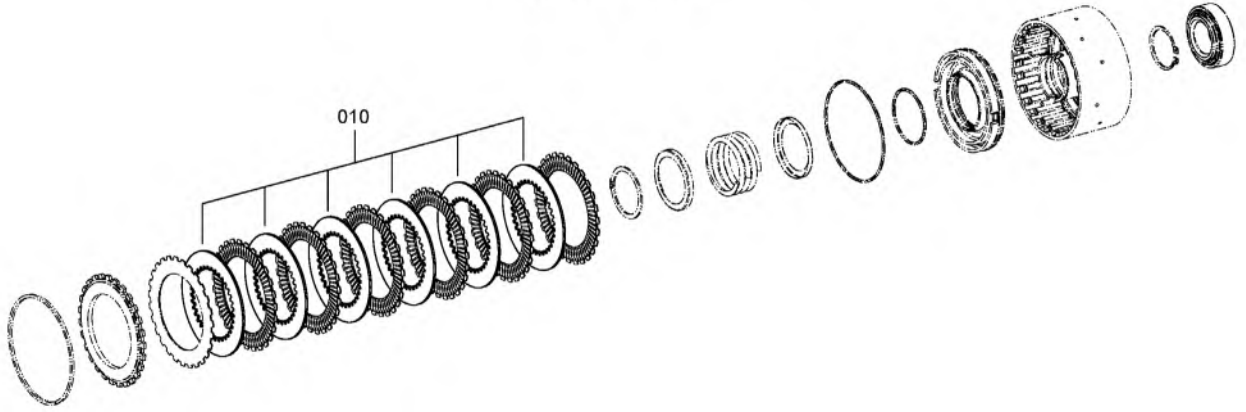


Steel disc kit

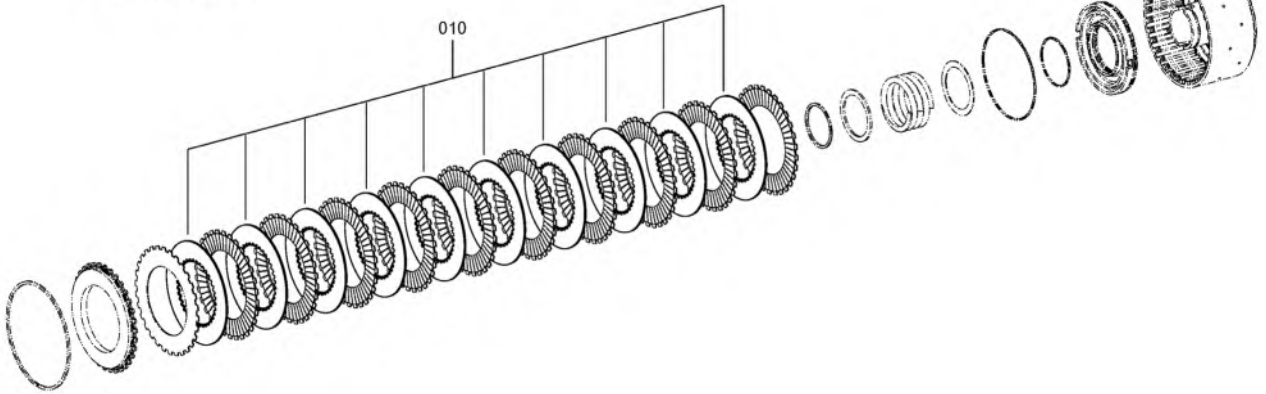
P/N	Description	K1		K2		K3		K4		KV		KR	
		Position	Qty	Position	Qty	Position	Qty	Position	Qty	Position	Qty	Position	Qty
0501.316.591	Inner clutch disc	010	9										
0501.316.590	Inner clutch disc			010	8	010	8	010	6				
0501.316.592	Inner clutch disc									010	10	010	10



4681.298.020



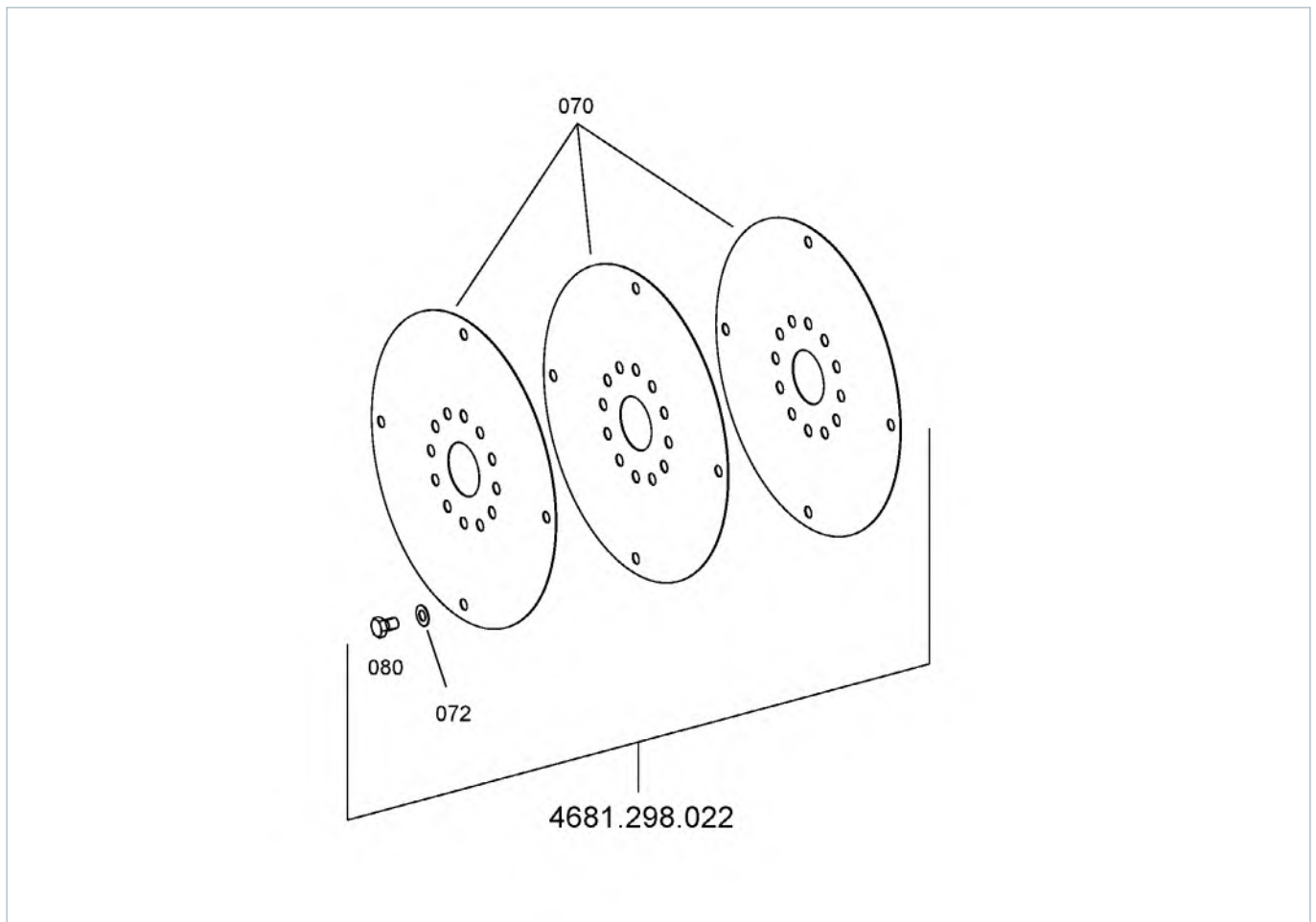
4681.298.021



Flex plate kit

4681.298.022

P/N	Description	Position	Qty
4681.330.012	Diaphragm	070	3
0636.102.411	Hexagon Screw	080	4
0730.105.318	Thrust washer	072	4



Seal kit

4681.298.023

P/N	Description	Qty
0634.306.287	O-ring	1
0634.402.557	R-Ring	3
4656.301.023	Gasket	1
0634.314.304	O-ring	1
0634.313.233	O-ring	1
0634.306.213	O-ring	6
0750.131.027	Breather	1
0734.401.267	Piston ring	12
0634.313.643	O-Ring	3
0634.313.719	O-Ring	3
0634.313.574	O-Ring	3
0634.313.498	O-Ring	3
1269.302.164	Locking plate	2
0634.303.466	O-ring	2
0734.319.445	Shaft seal	2
0634.304.616	O-ring	1
4681.354.013	Cover plate	1

P/N	Description	Qty
4681.306.010	Gasket	1
0634.313.366	O-ring	2
0634.306.523	O-ring	3
0634.303.144	O-ring	1
4681.306.007	Intermediate sheet	1
4660.359.018	Intermediate sheet	1
0501.211.384	Valve	1
0634.313.999	O-ring	1
0634.311.837	Shaft seal	1
0634.313.215	O-ring	10
4656.337.010	Gasket	1
0634.306.053	O-ring	2
0501.298.690	Filter complete	1
4642.331.216	Gasket	2
4644.301.014	Cover plate	2
0501.339.370	Gasket	1

Electrical kit

4681.298.024

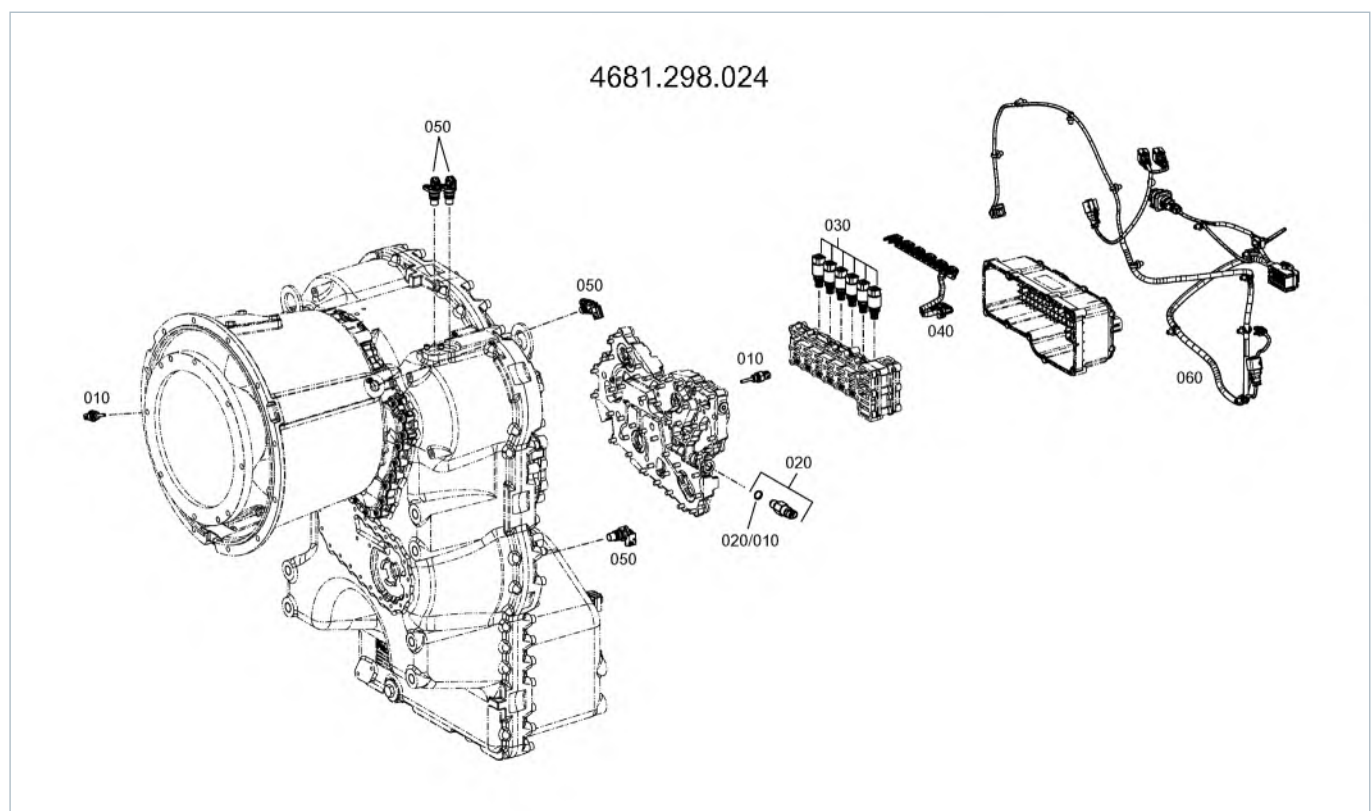
P/N	Description	Position
0501.322.532	Temperature sensor	010
0501.210.966	Tappet Switch	020
0501.335.152	Pressure regulator	030
6029.027.067	Cable off-road	040

P/N	Description	Position
0501.328.675	Speed sensor	050
0501.322.532	Temperature sensor	010
6029.027.087	Cable off-road	060

Summary

P/N	Description	Qty
0501.322.532	Temperature sensor	2
0501.210.966	Tappet Switch	1
0501.335.152	Pressure regulator	6

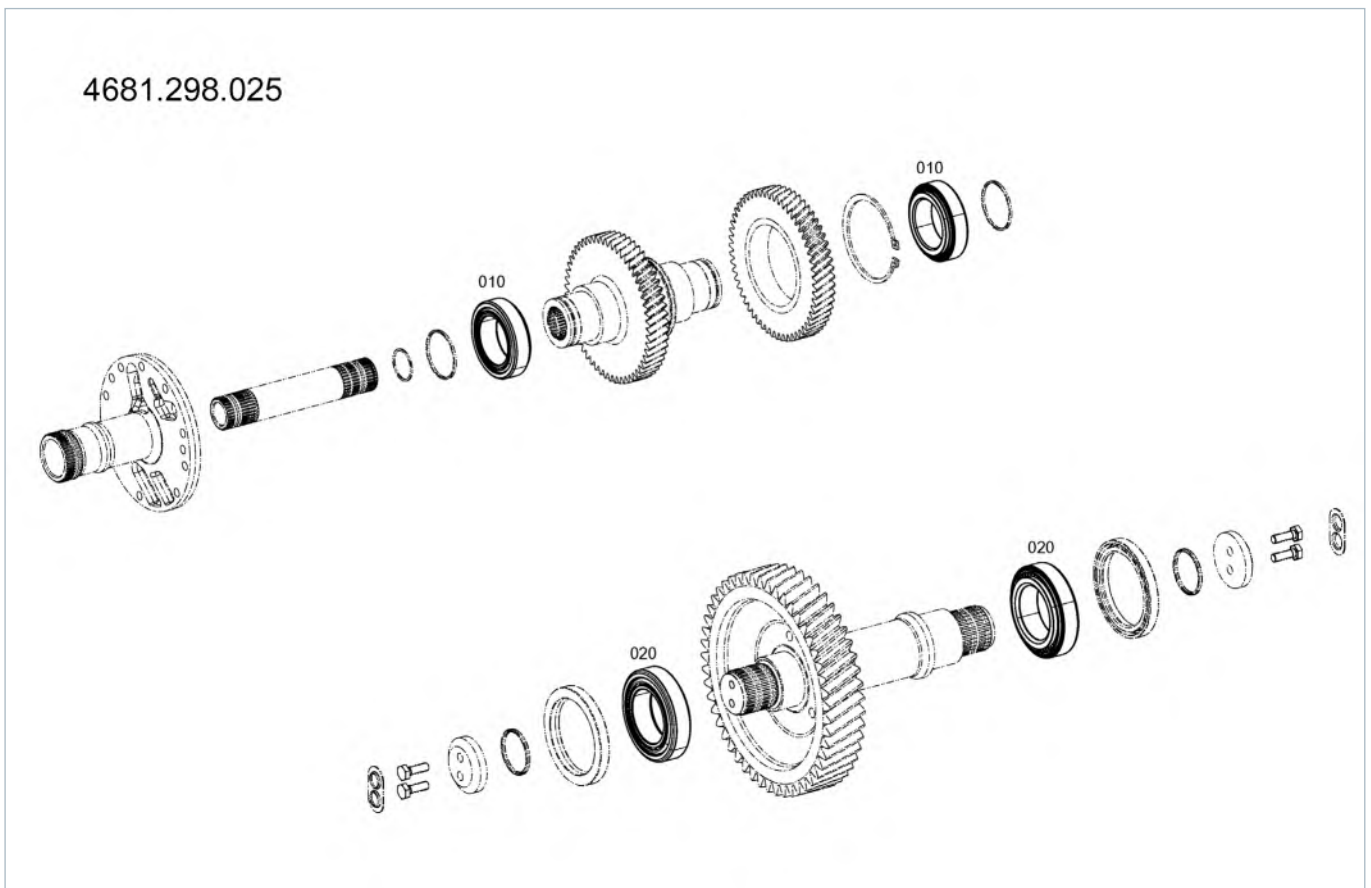
P/N	Description	Qty
6029.027.067	Cable off-road	1
0501.328.675	Speed sensor	4
6029.027.087	Cable off-road	2



Bearing kit

4681.298.025

P/N	Description	Position	Qty
0735.372.296	Taper roller bearing	010	1
0735.372.296	Taper roller bearing	010	1
0735.372.297	Taper roller bearing	020	1
0735.372.297	Taper roller bearing	020	1



ZF Group

ZF Friedrichshafen AG | ZF Aftermarket
Obere Weiden 12
97424 Schweinfurt
Deutschland

aftermarket.zf.com



[instagram.com/zfaftermarket](https://www.instagram.com/zfaftermarket)
[facebook.com/zfaftermarket.global](https://www.facebook.com/zfaftermarket.global)
[youtube.com/@ZFAftermarket](https://www.youtube.com/@ZFAftermarket)
[linkedin.com/showcase/zfaftermarket](https://www.linkedin.com/showcase/zfaftermarket)