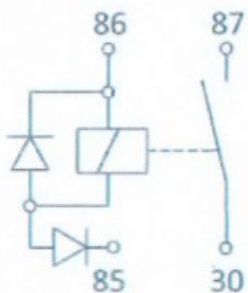
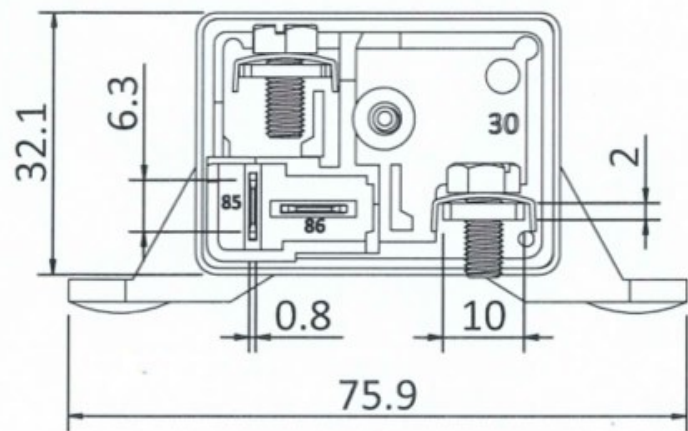
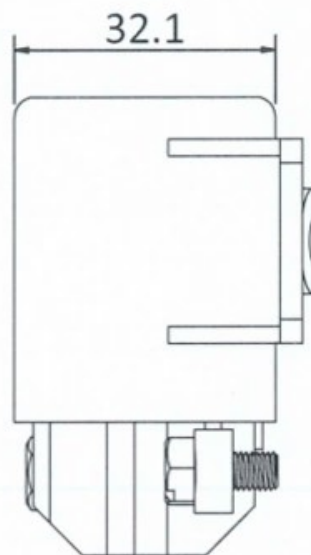
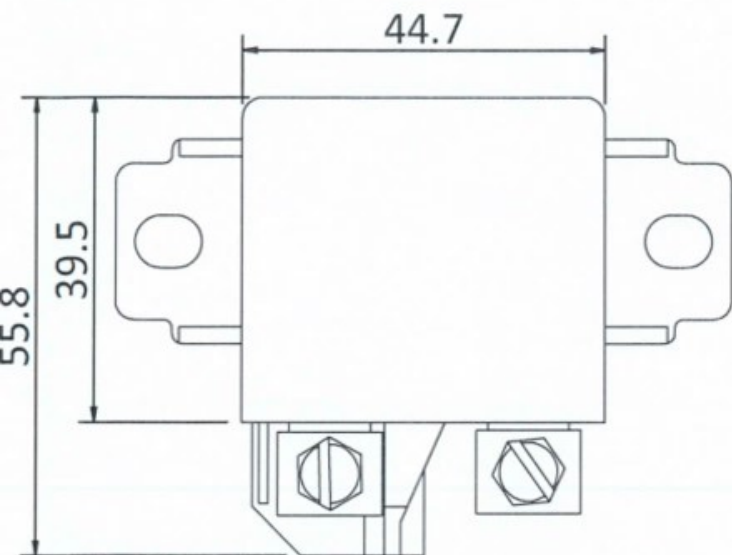


Confidential

Ordinary

V



Contact Data

Form			1 form A/ Normally Open
Material			Silver alloy
Voltage drop at 10A	Initial	NO	$\leq 100\text{mv}$
	After Specified number of switch operation	NO	$\leq 300\text{mv}$
Short-time load<1s			300A
Service Life	Mechanical		$\geq 1,000,000$ ops
	Electrical	Resistive Load NO Contact	150A $\geq 50,000$ ops
		Resistive Load NO contact	100A $\geq 125,000$ ops
	Motor Load NO contact Making/Continuous Current		100/60A $\geq 100,000$ ops

Coil Data

Rated Voltage	12VDC
Resistance $\Omega \pm 10\%$	50
Operating Voltage	$\leq 9.6\text{VDC}$
Release Voltage	$\geq 1.2\text{VDC}$

Electronic Characteristic

Operating time	$\leq 15\text{ms}$
Release time	$\leq 15\text{ms}$
Insulation resistance	$\geq 100\text{M}$ at 500VDC, 50%RH
Dielectric strength	500Vrms 1min
Shock resistance	10G, 11ms
Vibration resistance	DA 1.5mm 20~200Hz, functional
Drop resistance	1 M height drop on concrete in final enclosure
Power consumption	4.8W
Ambient temperature	-40°C~85°C operating 40°C~125°C storage
Weight	83g

尺寸範圍 DIM	一般公差 GENERAL TOLERANCE
0.5~6	0.20
6~30	0.50
30~120	0.80
120~315	1.20
315~1000	2.00
1000~2000	3.00