

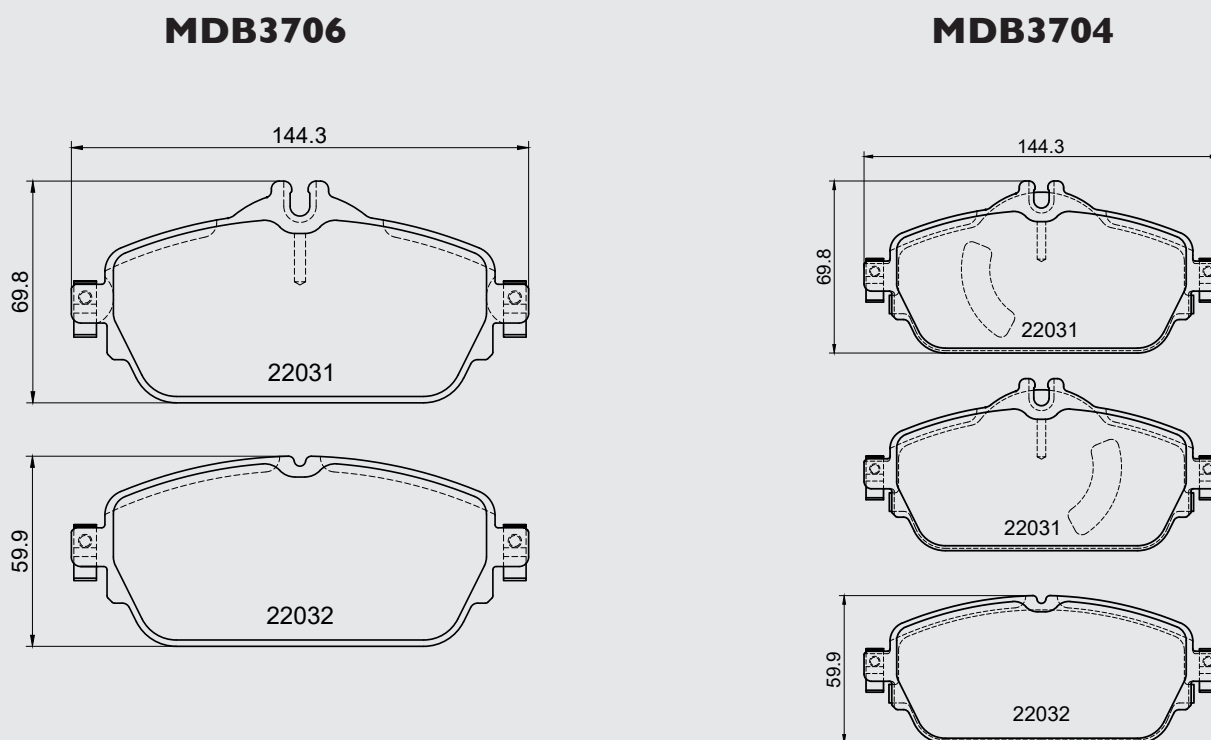
## Replacement of MDB3706 with MDB3704

Mintex aims to streamline the designation from MDB3706 to MDB3704.

Since Mercedes also harmonised their versions of the brake pads Mintex is following the same approach.

Given the identical outer dimensions of the brake pads we can ensure seamless assembly and operation. The parts are differing by a cut out in the shim for MDB3704 while the adhesive foil for the outer pads will disappear.

This consolidation extends coverage to a broader range of vehicles under a singular reference, namely MDB3704 which align more closely to the OE specifications and therefore is able to cover applications of both part numbers.



The current inventory of MDB3706 can be effortlessly marketed and sold without any complications.