

Replacement of MDB3382 with MDB3778

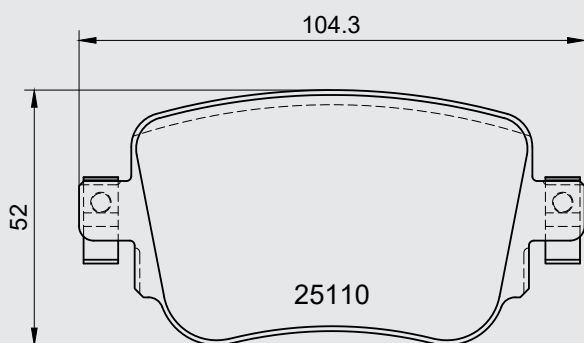
Mintex aims to streamline the designation of MDB3382 to MDB3778.

Given the identical outer dimensions of the brake pads we can ensure seamless assembly and operation.

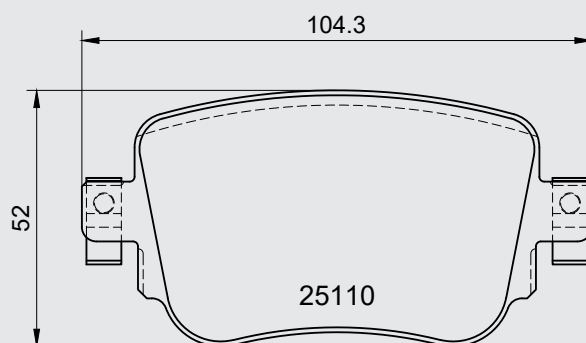
The difference between MDB3778 and MDB3382 is the MDB3778 screws type and design.

This harmonisation goes along with a replacement that was also implemented in the OES.

MDB3382



MDB3778



The current inventory of MDB3382 can be effortlessly marketed and sold without any complications.