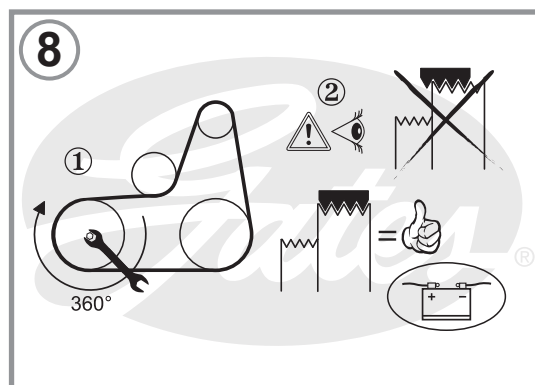
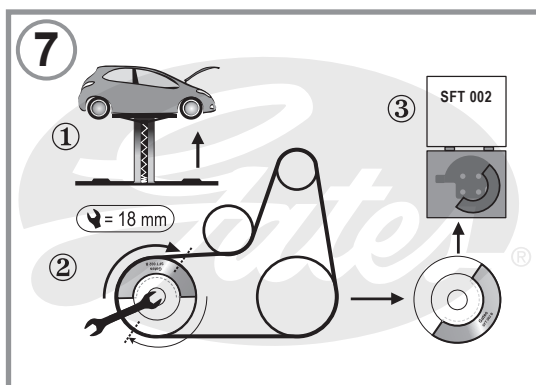
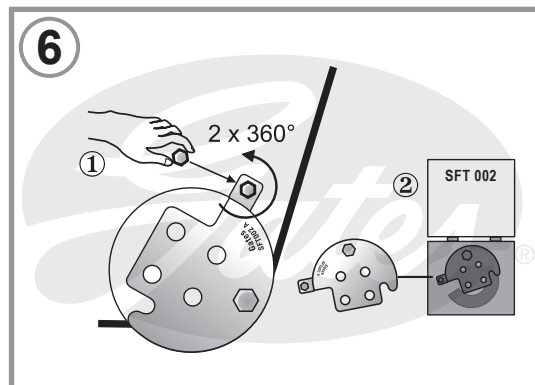
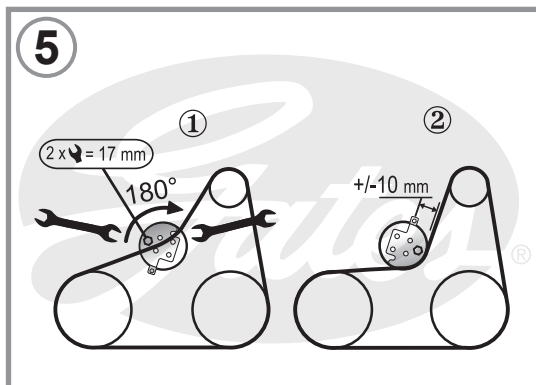
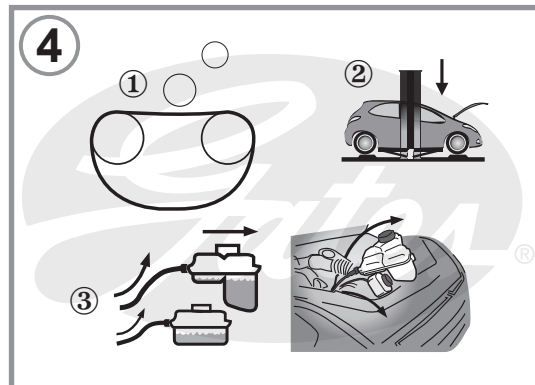
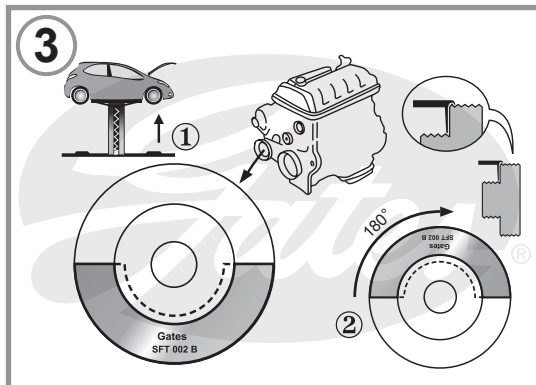
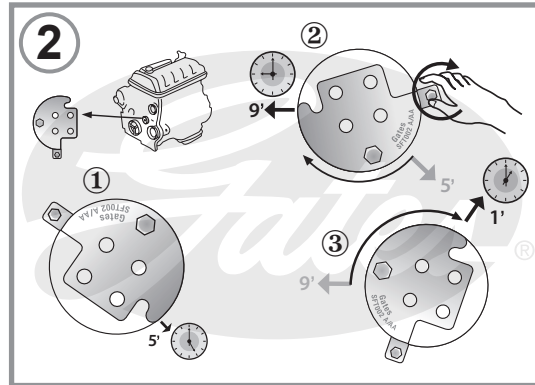
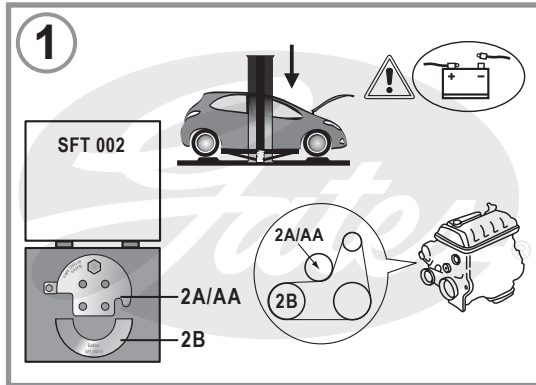


8640 601030sf



6PK1030SF (Ford)

REF - 0094-60052



The manufacturers reserve the right to amend details where necessary.

© Gates Corporation 2014

Printed in Spain - 08/14.