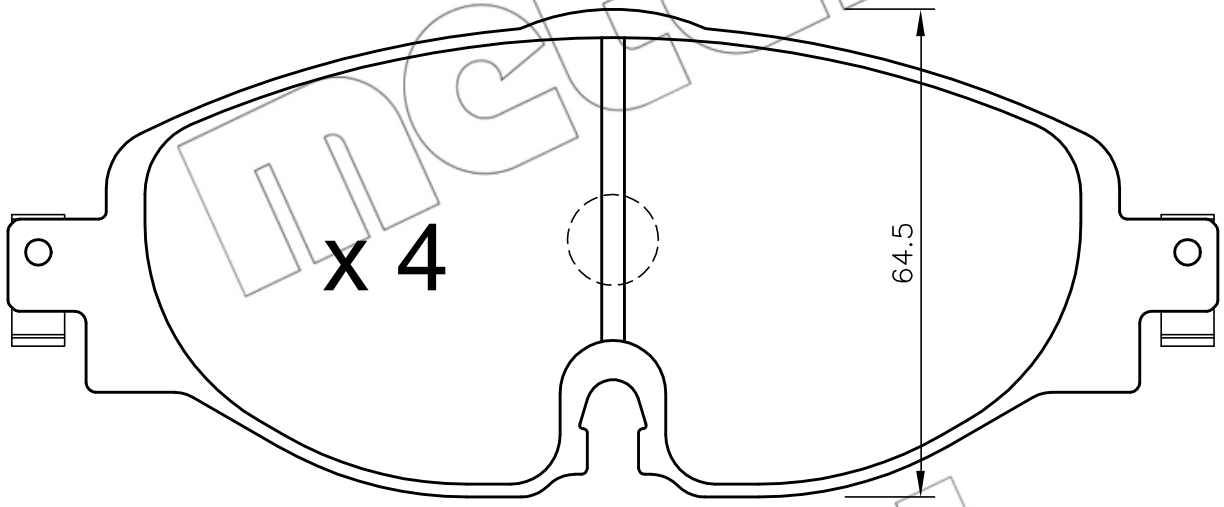


x 1

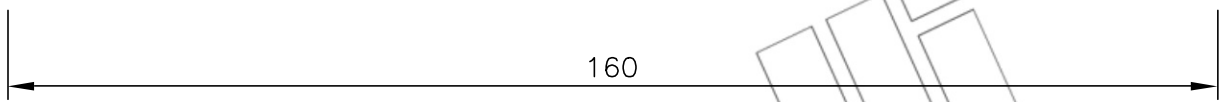
L = 170



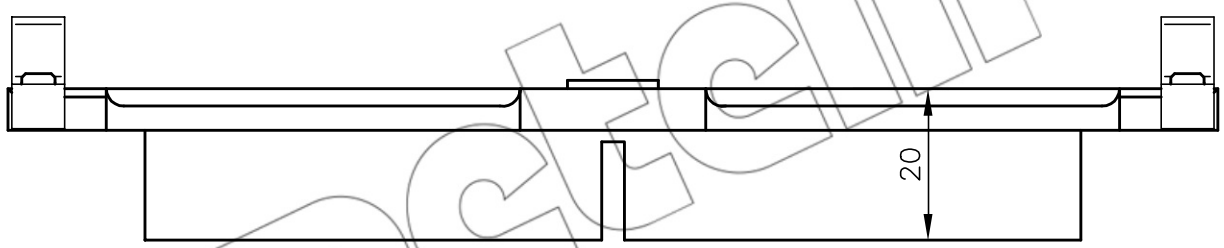
x 4



160



20



metelli