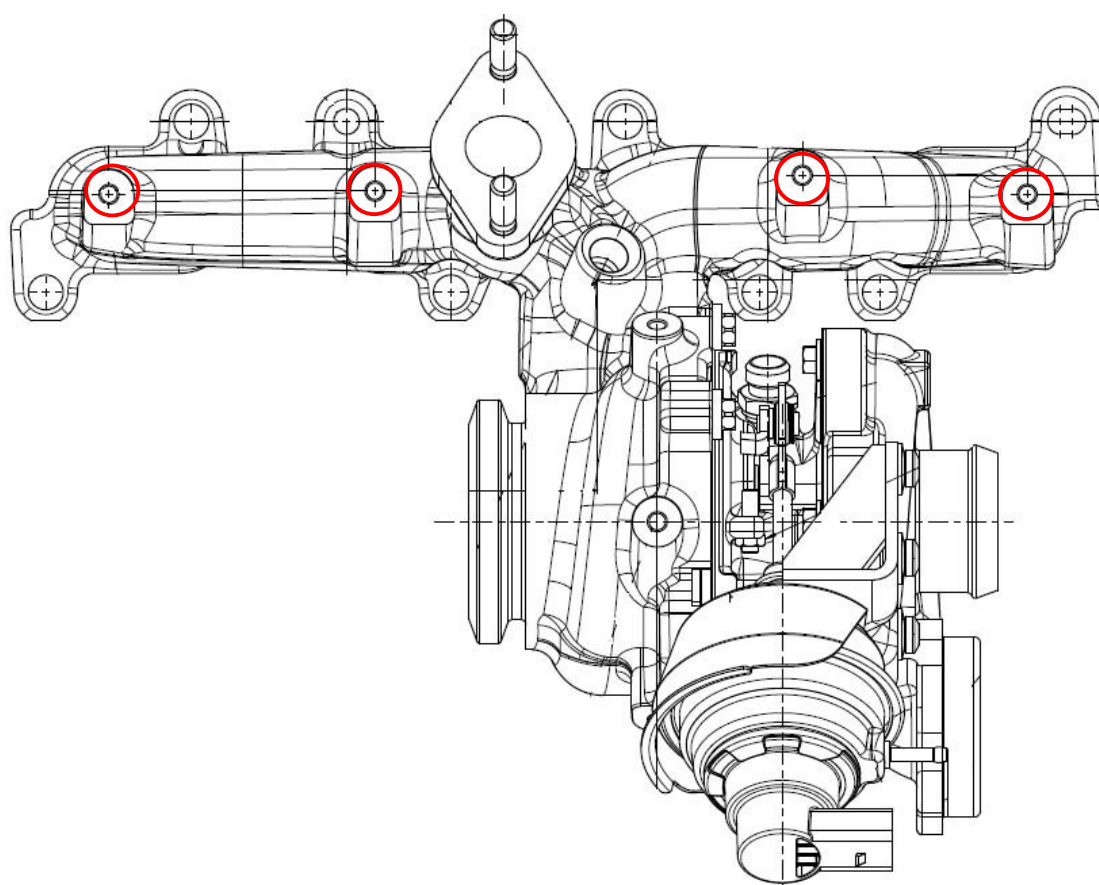


## **Service Information for turbochargers used on VW T5 Transporter- part number 792290**

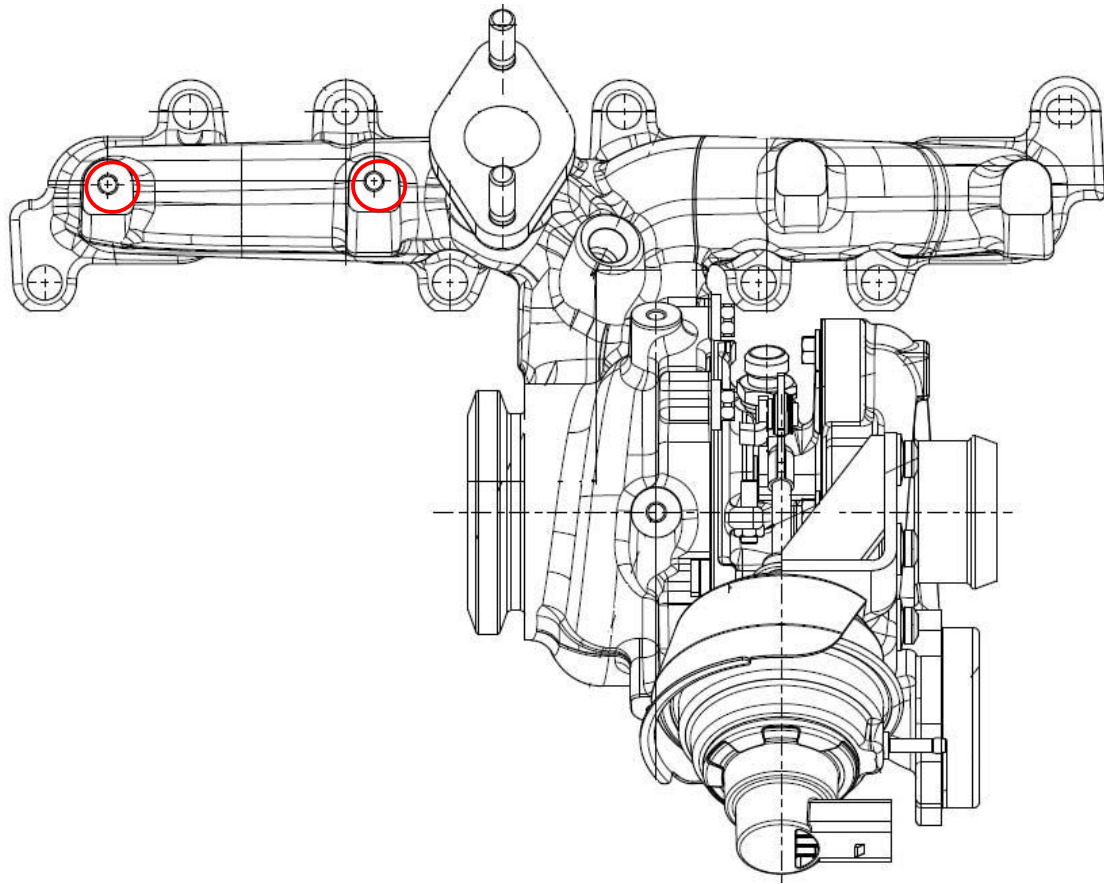
The GTB1446VZ turbochargers in the part number range 792290 have changed.

792290-5002S is no longer available and has been replaced by -5003S. This is due to a change in the design of the exhaust manifold heatshield.

For the -5002S turbos, the old heatshield used 4 bolts to locate into the 4 x M6 holes in the manifold, shown below:



For the -5003S turbo, the new heatshield is smaller and uses only 2 x M6 holes as shown below:



Summary:  
792290-5003s is a Direct Service Replacement for -5002S **only when used in conjunction with the new heatshield (VW supplied part).**