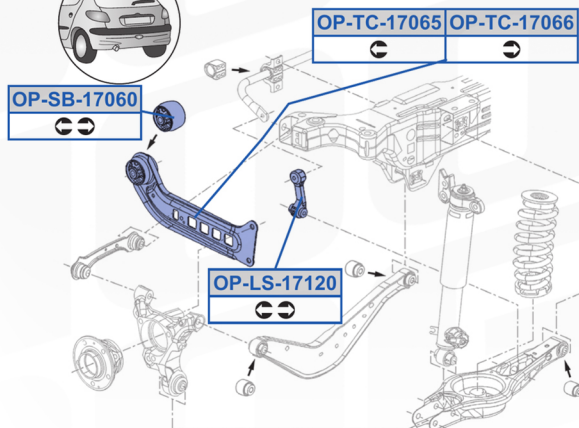


X 4x4



✓ 4x4

