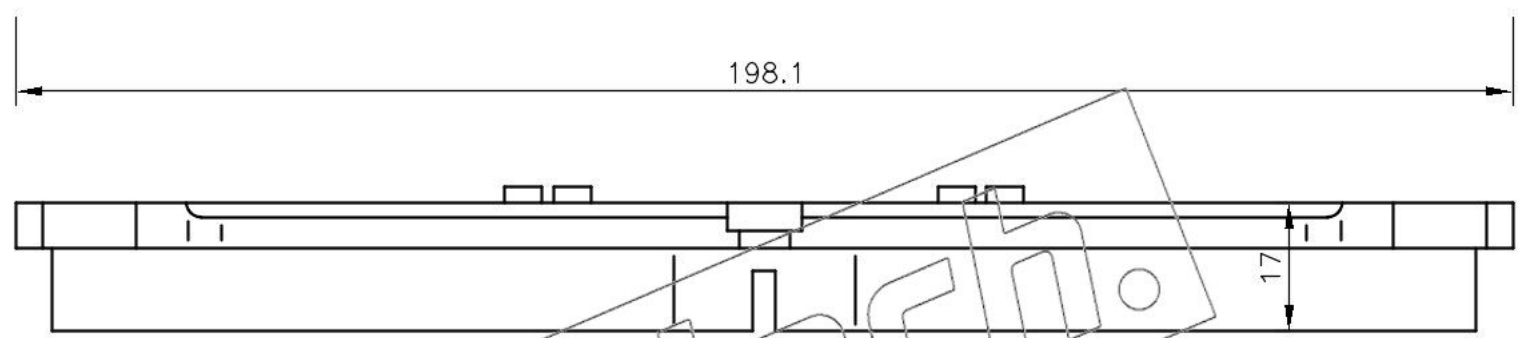


x 4

198.1

80.2

62.2



17

fri.tech.

fri.tech.