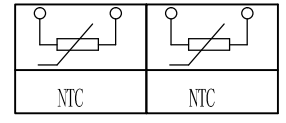
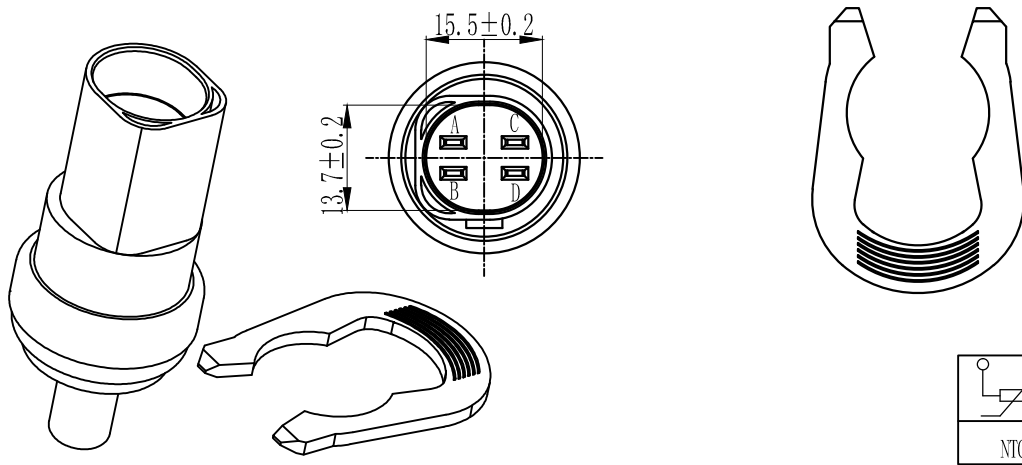
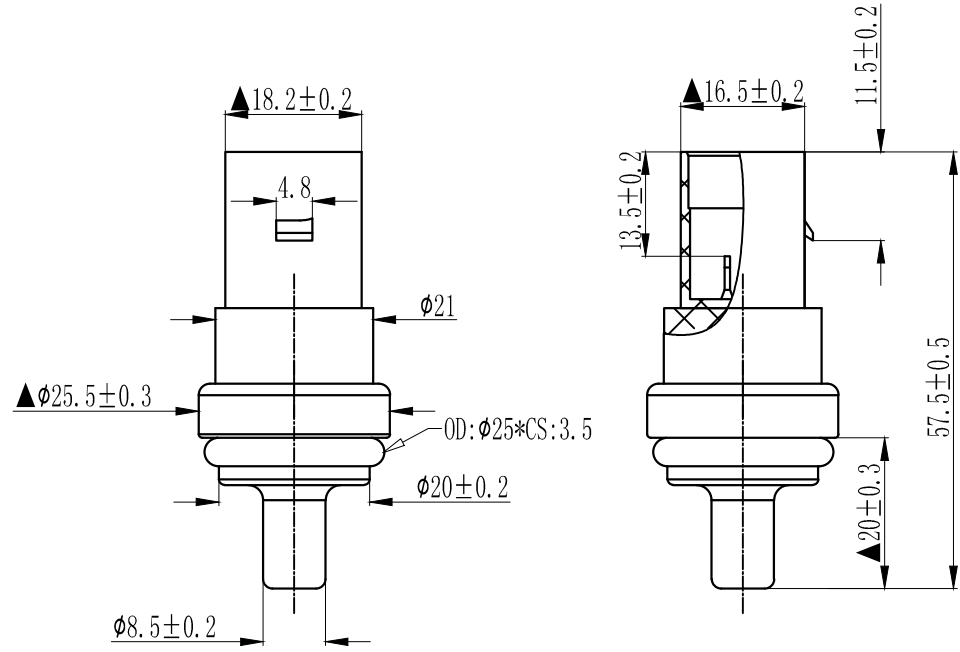


Key Dimension	Angle Tolerance	Form and Location Tol, Executive Standard	Dimensions	0.5~6	>6~30	>30~120	>120~400	>400~1000
	±2°	GB/T 1184 Lev: K	Dimensions Tolerance	±0.1	±0.2	±0.3	±0.5	±0.8



**Technical Requirement:**

1. Parts surface have no obvious burr, flash, process defects such as shrinkage and lack of material;
2. Key Dimension :with ▲ Symbol;
3. Operating temperature range:-40~125°C.

R-T(A-B) Specification Table(no-load)

T(°C)	R(KΩ)
-0	2.73±10%
25	0.96±10%
50	0.39±10%

R-T(C-D) Specification Table(no-load)

T(°C)	R(KΩ)
-0	5.92±10%
25	2.08±10%
50	0.84±10%

**I NDSNB935**

**Temperature Sensor**

NO.	DESCRIPTION	Name	Date	Mark Phase	Weight	Scale	Customer NO.	SCT0053	
Design	shenglin 23-12-14								S
Angle of view	Verified			Total Page 1		Page 1			
Book Size	Examined								
A4	Approved								