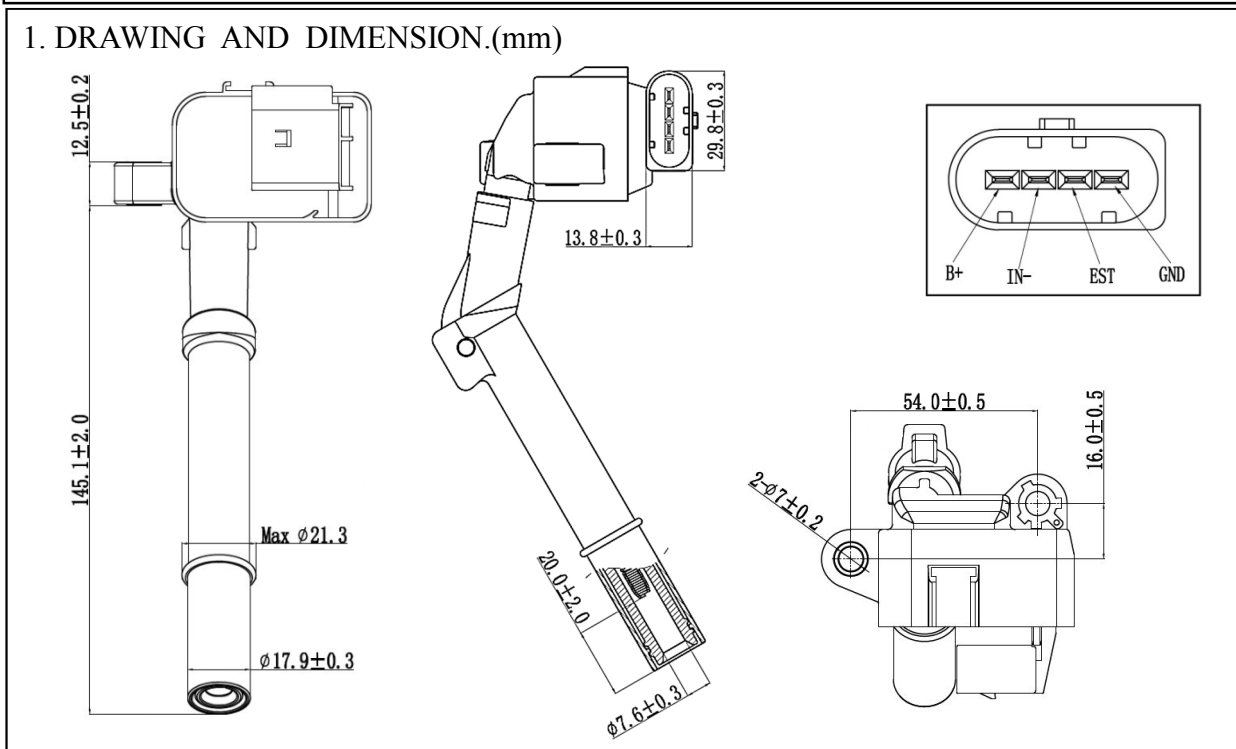
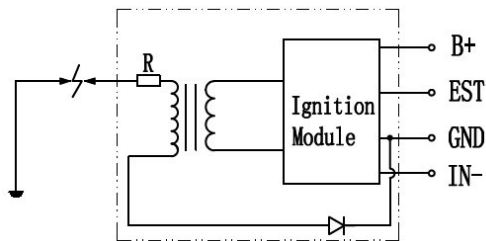


<b>NAME</b>	<b>CE-247 Electrical Specification</b>	<b>NO.</b>	<b>IC-1-1-1197-1</b>
-------------	--	------------	----------------------

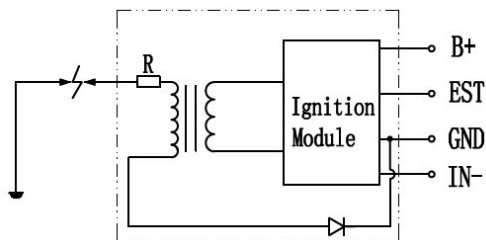
1. DRAWING AND DIMENSION.(mm)



2. CIRCUIT DIAGRAM



3.4 TEST CIRCUIT



3. ELECTRICAL PROPERTIES

3.1 DC RESISTANCE : AT  $t=23\pm5^{\circ}\text{C}$

Primary Resistance : -----

Secondary Resistance : -----

3.2 INDUCTANCE : AT  $t=23\pm5^{\circ}\text{C}$   $f=1\text{KHz}$

Primary Inductance : -----

Secondary Inductance : -----

3.3 OUTPUT VOLTAGE

AT

Input Voltage DC :  $14\pm0.2\text{V}$

Frequency :  $50\pm2\text{Hz}$

LOAD :  $25\text{PF//}1\text{M}\Omega$

$V_{out}$  :  $\geq 31\text{KV}$

Dwell :  $1.0\text{ms}$

2025.09.22		1				<b>MOBILETRON</b>
<b>Date of first edition</b>	<b>Date of revised edition</b>	<b>Edition</b>	<b>Manu-script</b>	<b>Review</b>	<b>Approval</b>	<b>Sep.23.2025</b>
						<b>Release</b>