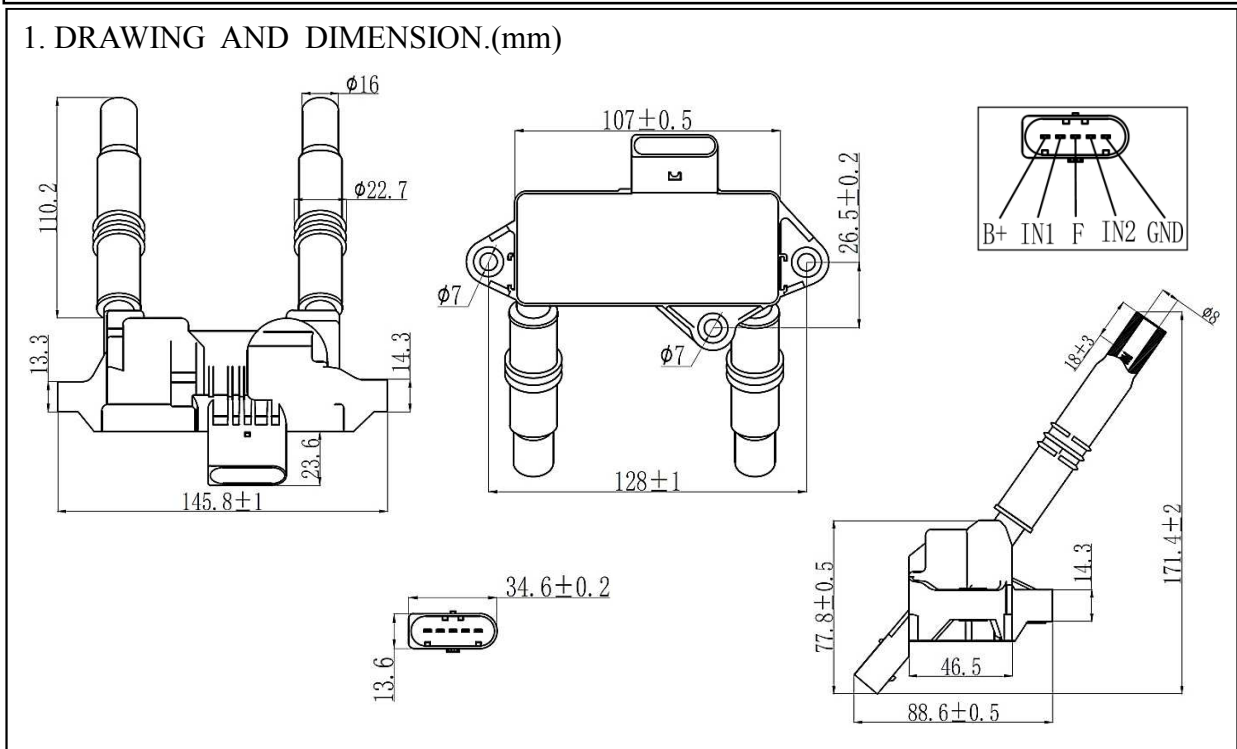
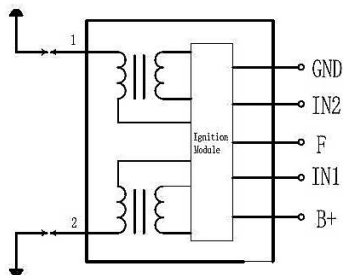


<b>NAME</b>	<b>CE-248 Electrical Specification</b>	<b>NO.</b>	<b>IC-1-1-1196-E</b>
-------------	--	------------	----------------------

**1. DRAWING AND DIMENSION.(mm)**



**2. CIRCUIT DIAGRAM**



**3. ELECTRICAL PROPERTIES**

**3.1 DC RESISTANCE : AT t=23±5°C**

- Primary Resistance : -----
- Secondary Resistance : -----

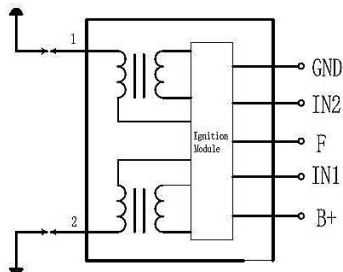
**3.2 INDUCTANCE : AT t=23±5°C f=1KHz**

- Primary Inductance : -----
- Secondary Inductance : -----

**3.3 OUTPUT VOLTAGE**

- AT
- Input Voltage DC : 14±0.2V
- Frequency : 50±2Hz
- LOAD : 50PF//1MΩ
- Vout : ≥ 19KV
- Dwell : 0.7ms

**3.4 TEST CIRCUIT**



2025.09.08		1				<b>MOBILETRON</b>
<b>Date of first edition</b>	<b>Date of revised edition</b>	<b>Edition</b>	<b>Manu-script</b>	<b>Review</b>	<b>Approval</b>	<b>Sep.10.2025</b>
						<b>Release</b>