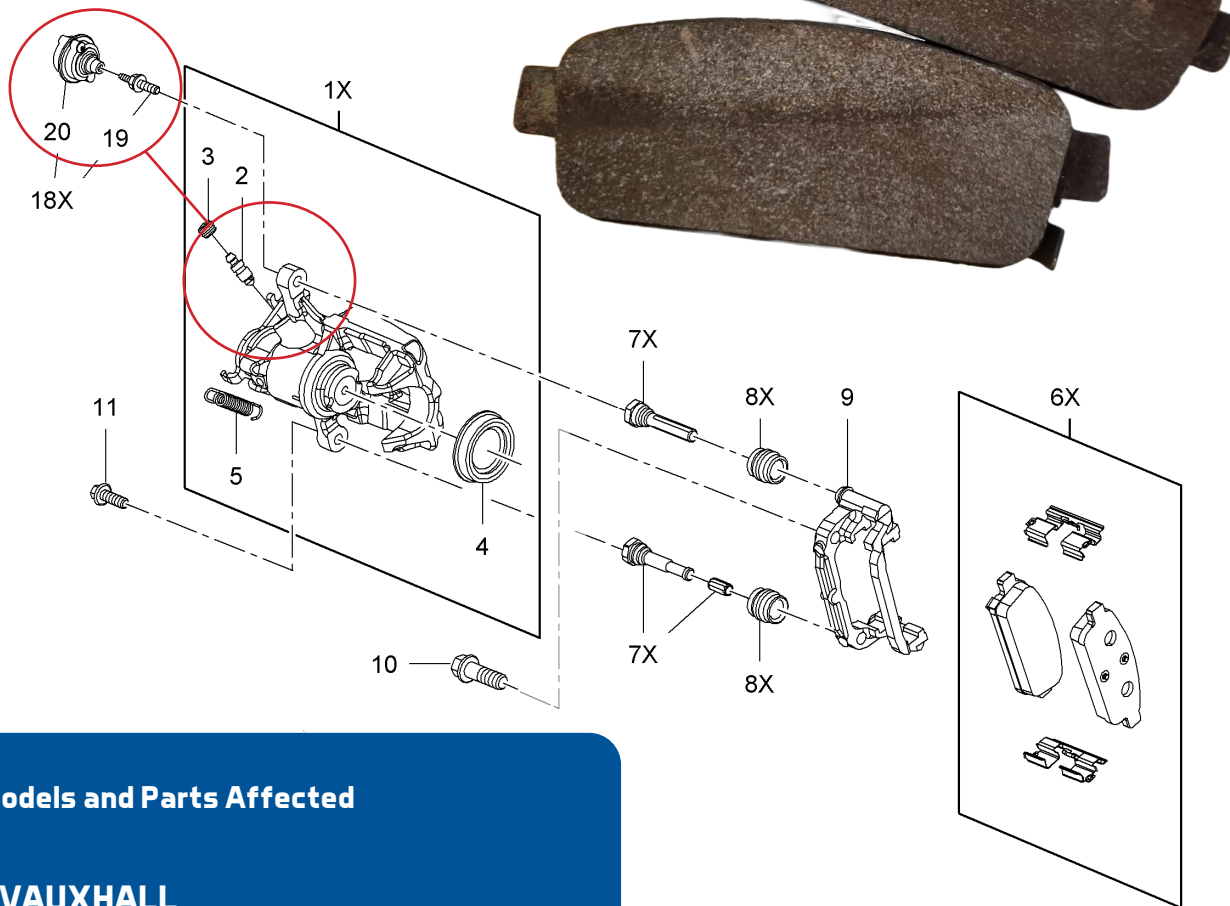


SYMPTOM: Unusual Wear Patterns and excessive noise on JCP4263

Cause: Counter Weight / Damper not fitted to caliper

Various models have a counter weight / damper fitted to the rear caliper as shown below. If this part is not fitted it can cause unusual wear patterns on the brake pad and excessive noise during braking.



Juratek.com

Models and Parts Affected

VAUXHALL

- **ASTRA J (2010-2020)**
Brake Caliper - JCA1116L / JCA1116R
Brake Pad - JCP4263
- **CASCADA (2013-2019)**
Brake Caliper - JCA1116L / JCA1116R
Brake Pad - JCP4263
- **MOKKA (2013-2019)** -to chassis No. HB999999, H4999999
Brake Caliper - JCA1182L / JCA1182R
Brake Pad - JCP4263
- **MOKKA X (2013-2019)** -to chassis No. HB999999, H4999999
Brake Caliper - JCA1182L / JCA1182R
Brake Pad - JCP4263
- **ZAFIRA C (2012-2019)**
Brake Caliper - JCA1116L / JCA1116R
Brake Pad - JCP4263

OE Part Required

The old Caliper should have this part fitted, if this isn't present or is damaged then the OE Part number required is: **13337450** (1605260, 42372987, 1605315)

