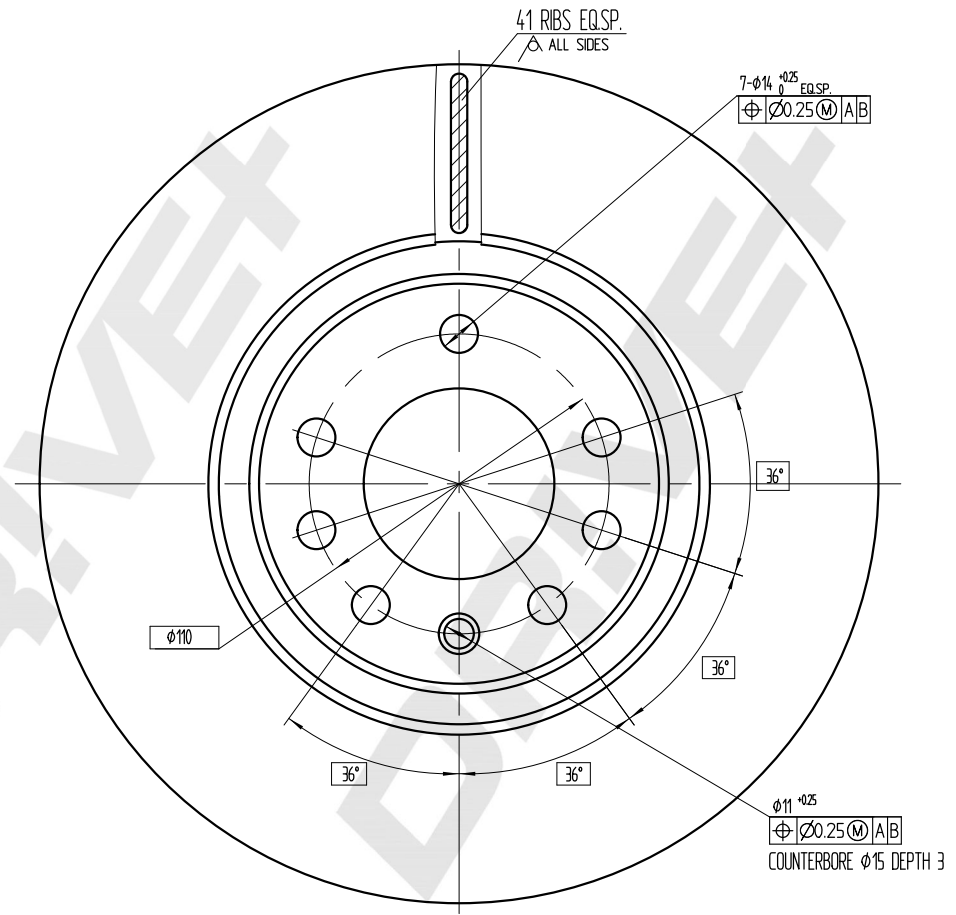


MIN THK 22 MM



DP Number	Part Number	Drawing Version Number	Drawing Issue Date	DR!VET
DP1010.11.0361C	DBD0361C	V1	2025.04.13	