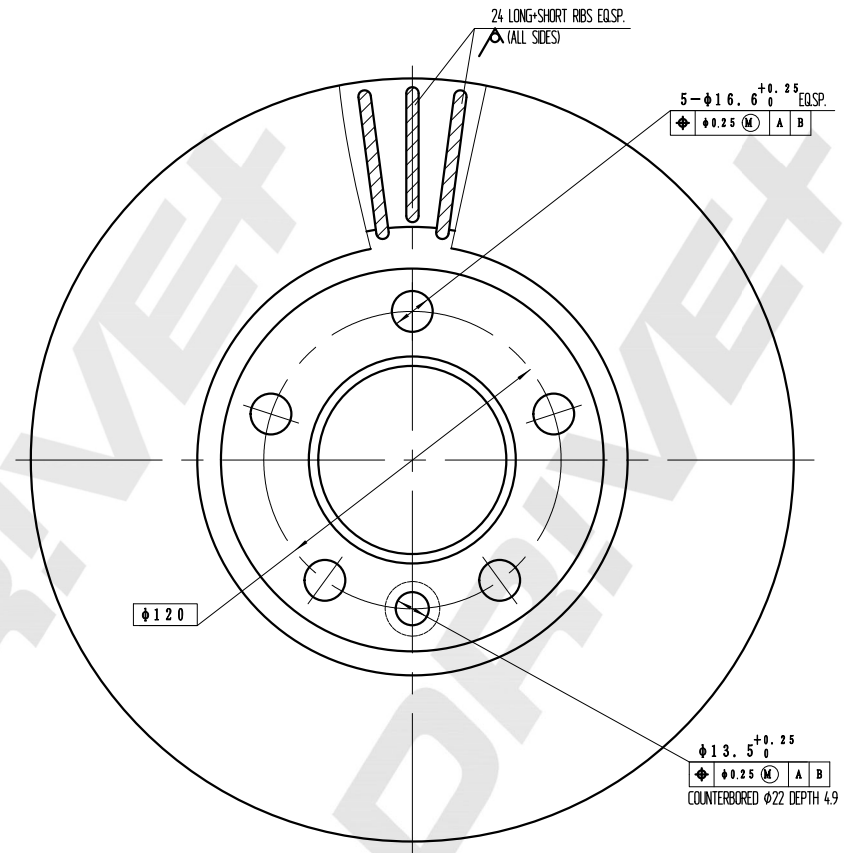


MIN THK 255 MM



| DP Number | Part Number | Drawing Version Number | Drawing Issue Date | DR!VET |
|-----------------|-------------|------------------------|--------------------|---------------|
| DP1010.11.0375C | DBD0375C | V1 | 2025.04.13 | |