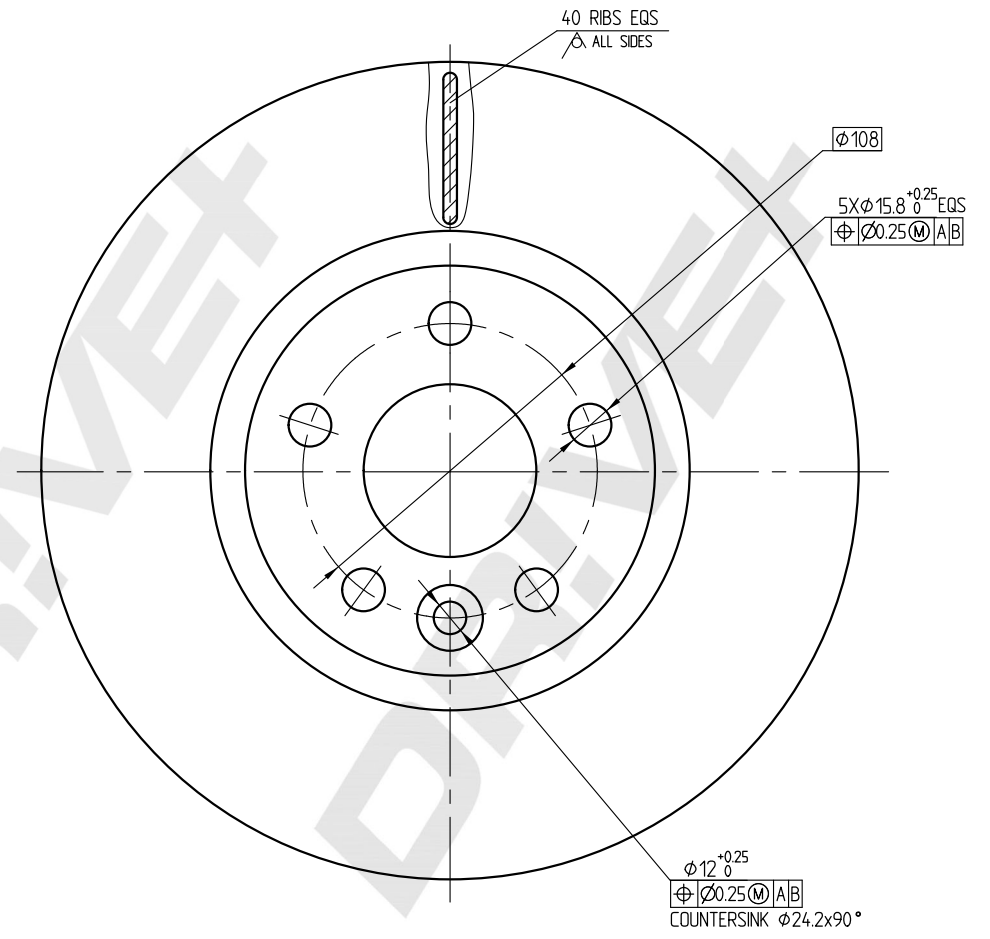


MIN THK 26 MM



DP Number	Part Number	Drawing Version Number	Drawing Issue Date
DP1010.11.0504C	DBD0504C	V1	2025.04.13

