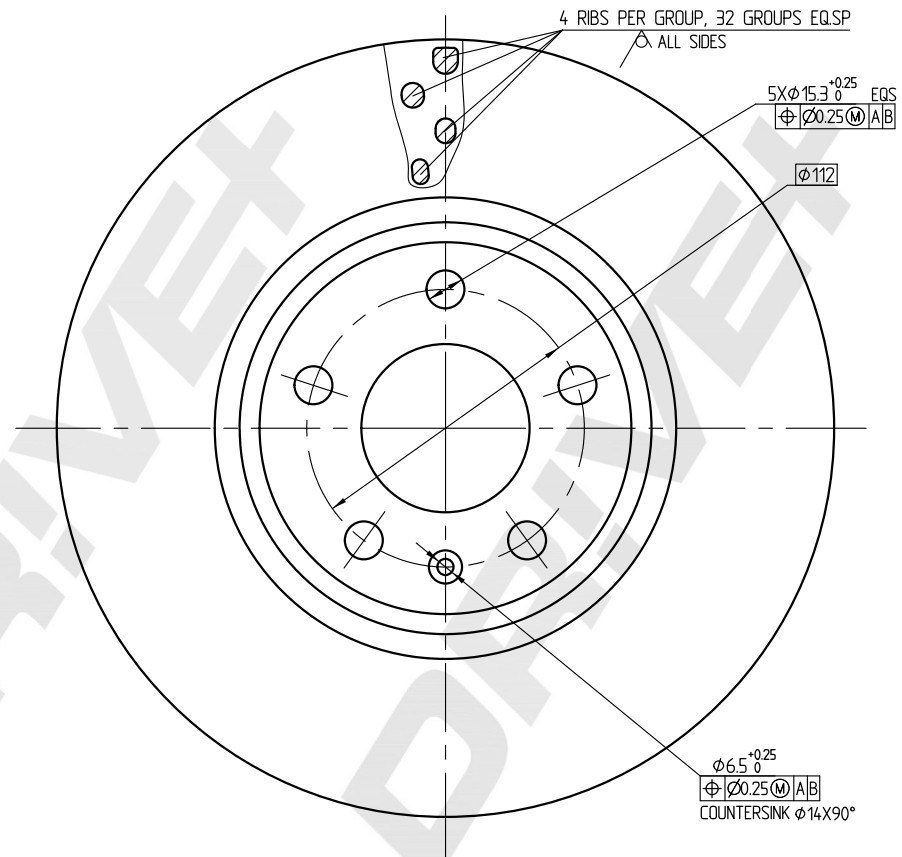


MIN THK 23 MM



DP Number	Part Number	Drawing Version Number	Drawing Issue Date
DP1010.11.0619C	DBD0619C	V1	2025.04.13

DRIVET