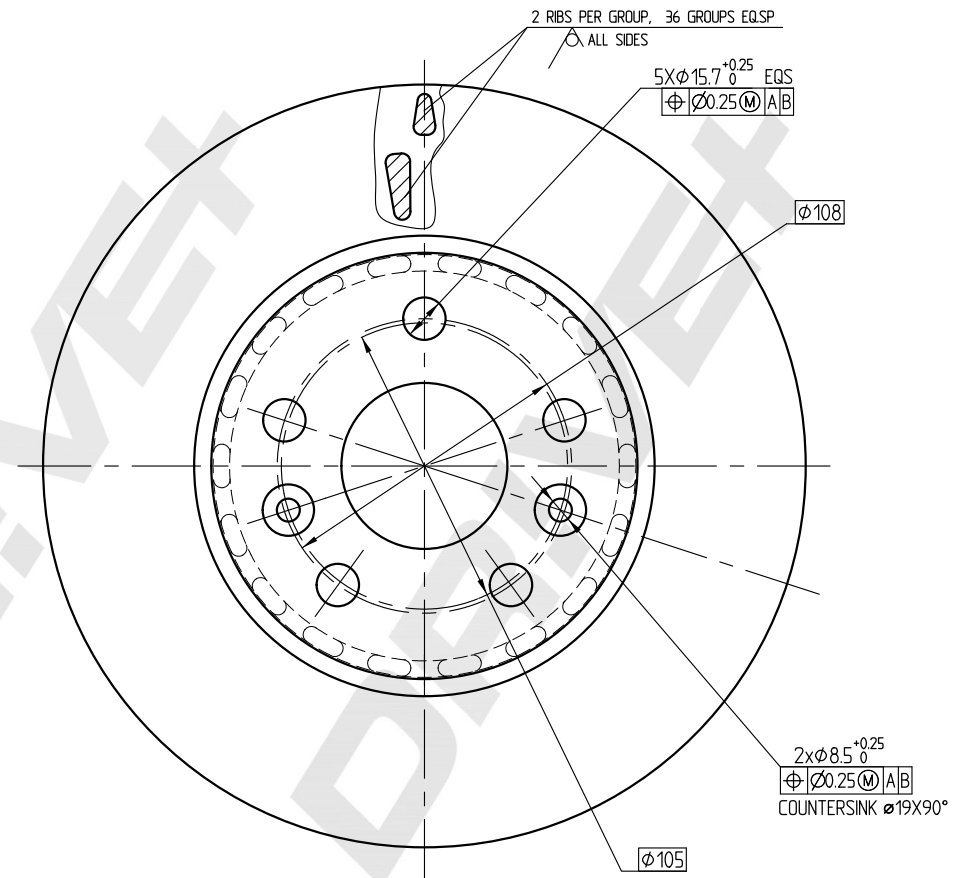


MIN THK 218 MM



DP Number	Part Number	Drawing Version Number	Drawing Issue Date	<b>DR!VET</b>
DP1010.11.0641C	DBD0641C	V1	2025.04.13	