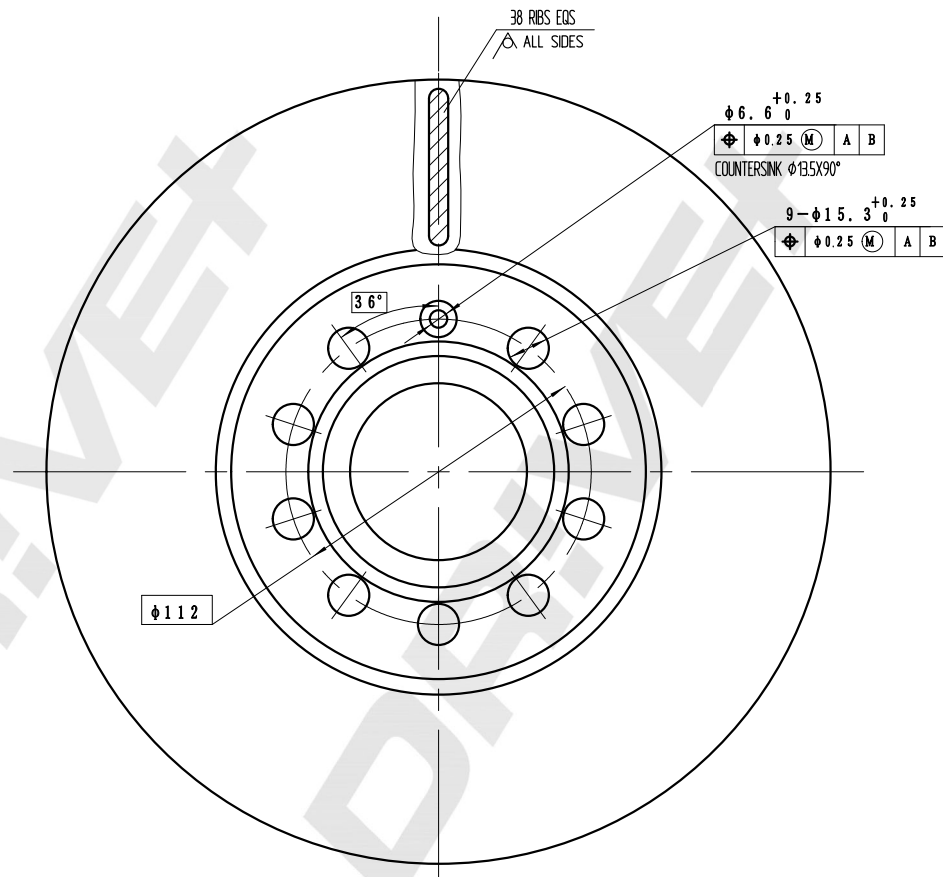


MIN THK 22 MM



DP Number	Part Number	Drawing Version Number	Drawing Issue Date
DP1010.11.0853C	DBD0853C	V1	2025.04.13

**DRIVET**