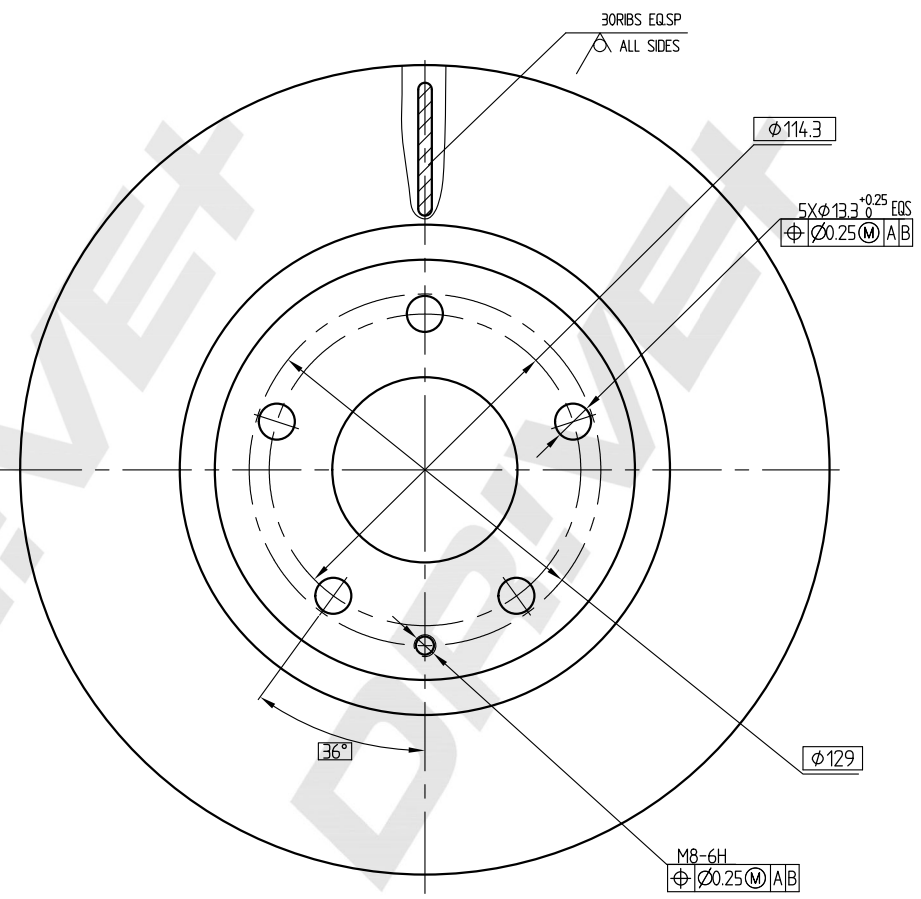


MIN THK 26 MM



| DP Number | Part Number | Drawing Version Number | Drawing Issue Date |
|-----------------|-------------|------------------------|--------------------|
| DP1010.11.1600C | DBD1600C | V1 | 2025.04.13 |

