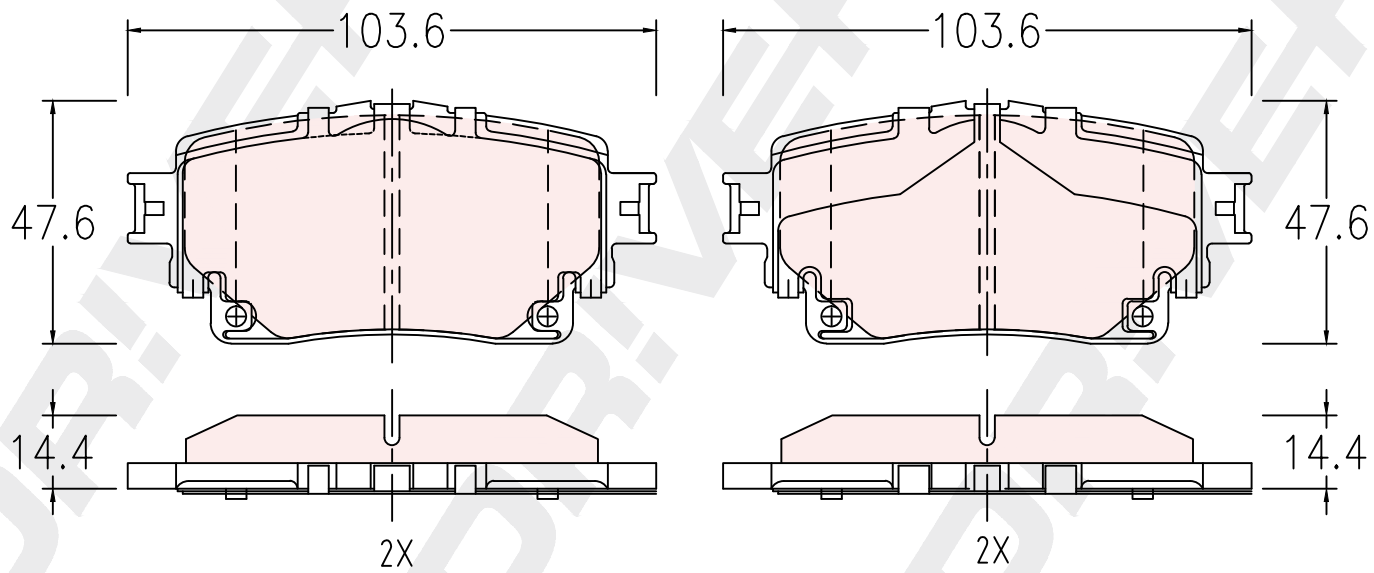


4X



DP Number	Part Number	Drawing Version Number	Drawing Issue Date	DRIVET
DP1010.10.1515	DBP1515	V1	2025.05.30	